

GNE V422 X

Refrigerator  
Холодильник

## Please read this manual first!

Dear Customer,

We hope that your product, which has been produced in modern plants and checked under the most meticulous quality control procedures, will provide you an effective service.

For this, we recommend you to carefully read the entire manual of your product before using it and keep it at hand for future references.




### This manual

- Will help you use your appliance in a fast and safe way.
- Read the manual before installing and operating your product.
- Follow the instructions, especially those for safety.
- Keep the manual in an easily accessible place as you may need it later.
- Besides, read also the other documents provided with your product.

Please note that this manual may be valid for other models as well.

### Symbols and their descriptions

This instruction manual contains the following symbols:

-  Important information or useful usage tips.
-  Warning against dangerous conditions for life and property.
-  Warning against electric voltage.



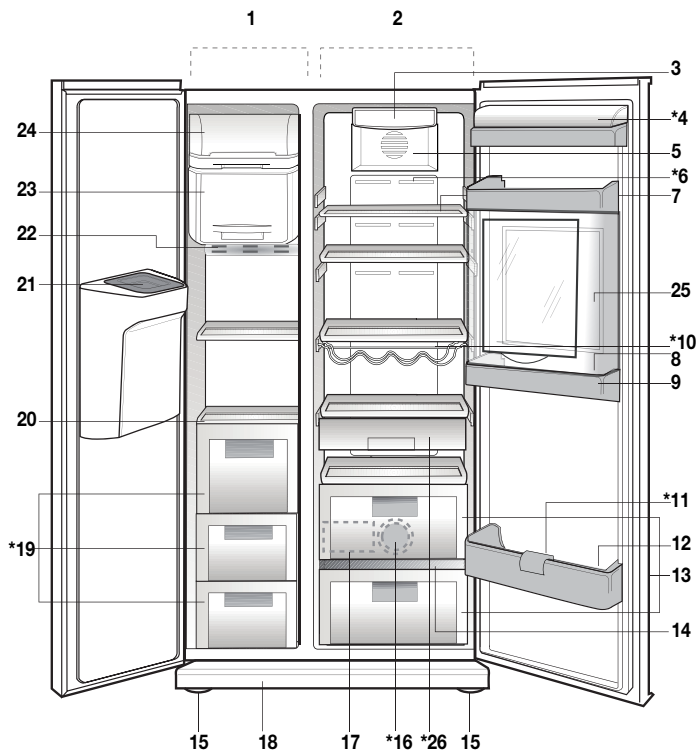
This product is supplied with the selective sorting symbol for waste electrical and electronic equipment (WEEE).

This means that this product must be handled pursuant to European Directive 2002/96/EC in order to be recycled or dismantled to minimise its impact on the environment. For further information, please contact your local or regional authorities.

Electronic products not included in the selective sorting process are potentially dangerous for the environment and human health due to the presence of hazardous substances.

<b>1 Your Refrigerator</b>	<b>3</b>	temperature.....22	
<b>2 Important Safety Warnings</b>	<b>4</b>	Setting the freezer compartment temperature.....22	
Intended use .....	4	Fresh Freeze Function .....	22
For products with a water dispenser; ..	6	Quick Cool Function .....	23
Child safety.....	6	Vacation Button .....	23
HCA Warning .....	7	Auto Eco Button (Special Economy function) .....	23
Reccomendations for freshfood compartment.....	7	Ioniser .....	23
Technical specifications of your refrigerator.....	8	Key Lock Button.....	23
Things to be done for energy saving ..	8	Water Dispenser Illumination.....	23
		Water/Ice Type Selection .....	23
		Ice/Water Dispenser .....	23
<b>3 Installation</b>	<b>9</b>	Using the Ice Dispenser .....	24
Points to be considered when re- transporting your refrigerator .....	9	Ice Off.....	24
Before operating your refrigerator .....	9	Using the water spring.....	25
Electric connection .....	10	Spillage Tray .....	25
Disposing of the packaging .....	10	Sliding Body Shelves .....	25
Disposing of your old refrigerator .....	10	Blue light .....	26
Placing and Installation .....	10	Ion: .....	26
Floor balance adjustment .....	11	Fresh Freeze Compartment .....	26
Adjusting the gap between the upper door .....	13	Crisper humidity control sliders.....	26
Installing Water Filter .....	14	Egg tray.....	26
Connection of the Water Pipe to the Refrigerator .....	15	Recommendations for preservation of frozen food .....	27
Connection of Water Hose to the Jug .....	17	Defrosting.....	27
Connection of the Water Pipe to the Cold Water Mains Line .....	18	Replacing the Interior Light Bulb .....	27
Prior to first use of Ice/Water Dispenser .....	19		
<b>4 Preparation</b>	<b>20</b>	<b>6 Maintenance and cleaning</b>	<b>29</b>
<b>5 Using your refrigerator</b>	<b>21</b>	Protection of plastic surfaces .....	29
Setting the fridge compartment		Icebox and Water Dispenser.....	30
		Chiller compartment .....	31
		Minibar .....	32
		<b>7 Recommended solutions for the problems</b>	<b>33</b>

# 1 Your Refrigerator



- |                                      |  |
|--------------------------------------|--|
| 1. Freezer compartment               | 14. Crisper cover                      |
| 2. Fridge compartment                | 15. Adjustable front legs              |
| 3. Fridge compartment interior light | 16. Blue light                         |
| 4. Butter and cheese lid             | 17. Water reservoir                    |
| 5. Fan                               | 18. Ventilation lid                    |
| 6. Ioniser                           | 19. Freezer compartment drawers        |
| 7. Fridge compartment glass shelves  | 20. Freezer Compartment glass shelves  |
| 8. Egg tray                          | 21. Ice duct lid                       |
| 9. Fridge compartment door racks     | 22. Freezer compartment interior light |
| 10. Wine cellar                      | 23. Fresh Freeze compartment           |
| 11. Bottle holder                    | 24. Ice container                      |
| 12. Bottle shelves                   | 25. Mini bar                           |
| 13. Crisper compartments             | 26. Snack tray                         |

\* OPTIONAL

**i** Figures that take place in this instruction manual are schematic and may not correspond exactly with your product. If the subject parts are not included in the product you have purchased, then it is valid for other models.

## 2 Important Safety Warnings

Please review the following information. Failure to observe this information may cause injuries or material damage. Otherwise, all warranty and reliability commitments will become invalid.

The usage life of the unit you purchased is 10 years. This is the period for keeping the spare parts required for the unit to operate as described.

### Intended use

This product is intended to be used

- indoors and in closed areas such as homes;
- in closed working environments such as stores and offices;
- in closed accommodation areas such as farm houses, hotels, pensions.
- This product should not be used outdoors.

### General safety

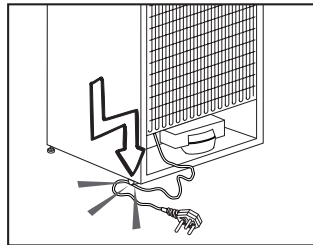
- When you want to dispose/scrap the product, we recommend you to consult the authorized service in order to learn the required information and authorized bodies.
- Consult your authorized service for all your questions and problems related to the refrigerator. Do not intervene or let someone intervene to the refrigerator without notifying the authorised services.
- For products with a freezer compartment; Do not eat cone ice cream and ice cubes immediately after you take them out of the freezer compartment! (This may cause frostbite in your mouth.)
- For products with a freezer compartment; Do not put bottled and canned liquid beverages in the freezer compartment. Otherwise, these may burst.
- Do not touch frozen food by hand; they may stick to your hand.
- Unplug your refrigerator before cleaning or defrosting.
- Vapor and vaporized cleaning materials should never be used in cleaning and defrosting processes of your refrigerator. In such cases, the vapor may get in contact with the electrical parts and cause short circuit or electric shock.
- Never use the parts on your refrigerator such as the door as a means of support or step.
- Do not use electrical devices inside the refrigerator.
- Do not damage the parts, where the refrigerant is circulating, with drilling or cutting tools. The refrigerant that might blow out when the gas channels of the evaporator, pipe extensions or surface coatings are punctured causes skin irritations and eye injuries.
- Do not cover or block the ventilation holes on your refrigerator with any material.
- Electrical devices must be repaired by only authorised persons. Repairs performed by incompetent persons create a risk for the user.
- In case of any failure or during a maintenance or repair work, disconnect your refrigerator's mains

**Ремонт холодильников**<http://rembitteh.ru/>

supply by either turning off the relevant fuse or unplugging your appliance.

- Do not pull by the cable when pulling off the plug.
- Place the beverage with higher proofs tightly closed and vertically.
- Never store spray cans containing flammable and explosive substances in the refrigerator.
- Do not use mechanical devices or other means to accelerate the defrosting process, other than those recommended by the manufacturer.
- This product is not intended to be used by persons with physical, sensory or mental disorders or unlearned or inexperienced people (including children) unless they are attended by a person who will be responsible for their safety or who will instruct them accordingly for use of the product
- Do not operate a damaged refrigerator. Consult with the service agent if you have any concerns.
- Electrical safety of your refrigerator shall be guaranteed only if the earth system in your house complies with standards.
- Exposing the product to rain, snow, sun and wind is dangerous with respect to electrical safety.
- Contact authorized service when there is a power cable damage to avoid danger.
- Never plug the refrigerator into the wall outlet during installation. Otherwise, risk of death or serious injury may arise.

- This refrigerator is intended for only storing food items. It must not be used for any other purpose.
- Label of technical specifications is located on the left wall inside the refrigerator.
- Never connect your refrigerator to electricity-saving systems; they may damage the refrigerator.
- If there is a blue light on the refrigerator, do not look at the blue light with optical tools.
- For manually controlled refrigerators, wait for at least 5 minutes to start the refrigerator after power failure.
- This operation manual should be handed in to the new owner of the product when it is given to others.
- Avoid causing damage on power cable when transporting the refrigerator. Bending cable may cause fire. Never place heavy objects on power cable. Do not touch the plug with wet hands when plugging the product.



- Do not plug the refrigerator if the wall outlet is loose.
- Water should not be sprayed directly on inner or outer parts of the product for safety purposes.
- Do not spray substances containing inflammable gases such as propane gas near the refrigerator to avoid fire and explosion risk. <http://rembitteh.ru/>

- Never place containers filled with water on top of the refrigerator, otherwise this may cause electric shock or fire.
- Do not overload your refrigerator with excessive amounts of food. If overloaded, the food items may fall down and hurt you and damage refrigerator when you open the door. Never place objects on top of the refrigerator; otherwise, these objects may fall down when you open or close the refrigerator's door.
- As they require a precise temperature, vaccines, heat-sensitive medicine and scientific materials and etc. should not be kept in the refrigerator.
- If not to be used for a long time, refrigerator should be unplugged. A possible problem in power cable may cause fire.
- The plug's tip should be regularly cleaned; otherwise, it may cause fire.
- The plug's tip should be cleaned regularly with a dry cloth; otherwise, it may cause fire.
- Refrigerator may move if adjustable legs are not properly secured on the floor. Properly securing adjustable legs on the floor can prevent the refrigerator to move.
- When carrying the refrigerator, do not hold it from door handle. Otherwise, it may be snapped.
- When you have to place your product next to another refrigerator or freezer, the distance between devices should be at least 8cm. Otherwise, adjacent side walls may be humidified.

## **For products with a water dispenser;**

Pressure of water mains should be minimum 1 bar. Pressure of water mains should be maximum 8 bars.

- Use only potable water.

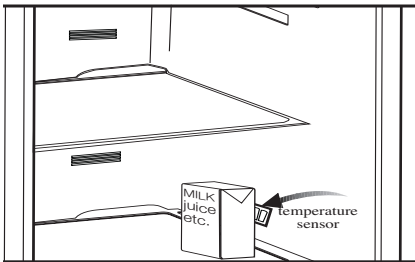
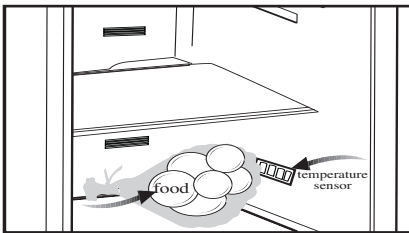
## **Child safety**

- If the door has a lock, the key should be kept away from reach of children.
- Children must be supervised to prevent them from tampering with the product.

## Reccomendations for freshfood compartment

### OPTIONAL \*

- Please do not let any foodstuff to come to contact with the temperature sensor in freshfood compartment. In order to maintain freshfood compartment at ideal storage temperature, the sensor must not be blocked by fodstuffs.
- Do not place hot foodstuff in your appliance.



## HCA Warning

### If your product's cooling system contains R600a:

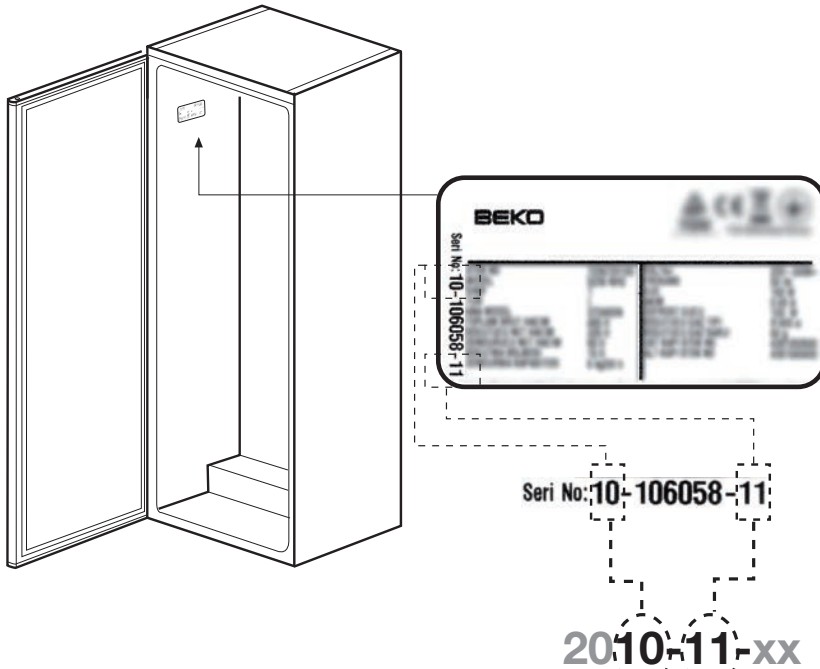
This gas is flammable. Therefore, pay attention to not damaging the cooling system and piping during usage and transportation. In the event of damage, keep your product away from potential fire sources that can cause the product catch a fire and ventilate the room in which the unit is placed.

### Ignore this warning if your product's cooling system contains R134a.

Type of gas used in the product is stated in the type plate which is on the left wall inside the refrigerator.

Never throw the product in fire for disposal.





## Things to be done for energy saving

- Do not leave the doors of your refrigerator open for a long time.
- Do not put hot food or drinks in your refrigerator.
- Do not overload your refrigerator so that the air circulation inside of it is not prevented.
- Do not install your refrigerator under direct sunlight or near heat emitting appliances such as ovens, dishwashers or radiators.
- Pay attention to keep your food in closed containers.
- For products with a freezer compartment; You can store maximum amount of food items in the freezer when you remove the shelf or drawer of the freezer. Energy consumption value stated for your refrigerator has been determined by removing freezer shelf or drawer and under maximum load. There is no harm to use a shelf or drawer according to the shapes and size of food to be frozen.
- Thawing frozen food in fridge compartment will both provide energy saving and preserve the food quality.

### Technical specifications of your refrigerator

Energy efficiency class	A +
Protection class	1

### 3 Installation

- i** Please remember that the manufacturer shall not be held liable if the information given in the instruction manual is not observed.

#### Points to be considered when re-transporting your refrigerator

1. Your refrigerator must be emptied and cleaned prior to any transportation.
2. Shelves, accessories, crisper and etc. in your refrigerator must be fastened securely by adhesive tape against any jolt before repackaging.
3. Packaging must be tied with thick tapes and strong ropes and the rules of transportation printed on the package must be followed.

#### **i** Always remember...

Every recycled material is an indispensable source for the nature and for our national resources.

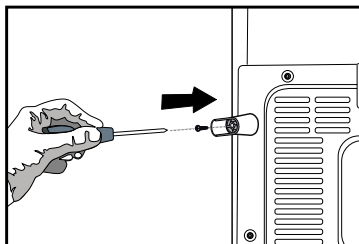
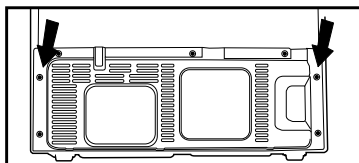
If you wish to contribute to recycling the packaging materials, you can get further information from the environmental bodies or local authorities.

#### Before operating your refrigerator

Before starting to use your refrigerator check the following:

1. Is the interior of the refrigerator dry and can the air circulate freely in the rear of it?

2. Clean the interior of the refrigerator as recommended in the "Maintenance and cleaning" section.
3. Insert the 2 plastic wedges onto the rear ventilation as illustrated in the following figure. Unscrew the existing ones and use the screws given in the same bag of wedges. Plastic wedges will provide the required distance between your refrigerator and the wall in order to allow the air circulation.



4. Plug the refrigerator into the wall outlet. When the door is open the respective interior light will come on.
5. You will hear a noise as the compressor starts up. The liquid and gases sealed within the refrigeration system may also give rise to noise, even if the compressor is not running and this is quite normal.
6. Front edges of the refrigerator may feel warm. This is normal. These areas are designed to be warm to avoid condensation.

## Electric connection

Connect your refrigerator to a grounded socket which is being protected by a fuse with the appropriate capacity.

Important:

- ⚠ The connection must be in compliance with national regulations.
- ⚠ The power cable plug must be easily accessible after installation.
- ⚠ The specified voltage must be equal to your mains voltage.
- ⚠ Extension cables and multiway plugs must not be used for connection.
- ⚠ A damaged power cable must be replaced by a qualified electrician.
- ⚠ The appliance must not be operated before it is repaired! There is danger of electric shock!

## Disposing of the packaging

⚠ The packing materials may be dangerous for children. Keep the packing materials out of the reach of children or dispose them of by classifying them in accordance with the waste instructions. Do not dispose them of along with the normal household waste.

The packing of your refrigerator is produced from recyclable materials.

## Disposing of your old refrigerator

Dispose of your old machine without giving any harm to the environment.

⚠ You may consult your authorized dealer or waste collection center of your municipality about the disposal of your refrigerator.

⚠ Before disposing of your refrigerator, cut out the electric plug and, if there are any locks on the door, make them inoperable in order to protect children against any danger.

## Placing and Installation

⚠ Caution: Never plug the refrigerator into the wall outlet during installation. Otherwise, risk of death or serious injury may arise.

⚠ If the entrance door of the room where the refrigerator will be installed is not wide enough for the refrigerator to pass through, than call the authorised service to have them remove the doors of your refrigerator and pass it sideways through the door.

1. Install your refrigerator to a place that allows ease of use.

2. Keep your refrigerator away from heat sources, humid places and direct sunlight.

3. There must be appropriate air ventilation around your refrigerator in order to achieve an efficient operation. If the refrigerator is to be placed in a recess in the wall, there must be at least 5 cm distance with the ceiling and at least 5 cm with the wall.

If the floor is covered with a carpet, your product must be elevated 2.5 cm from the floor.

4. Place your refrigerator on an even floor surface to prevent jolts.

5. Do not keep your refrigerator in ambient temperatures under 10°C.

## Floor balance adjustment

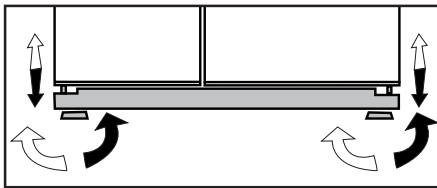
If your refrigerator is unbalanced;

You can balance your refrigerator by turning the front legs of it as illustrated in the figure. (See Figure A) The corner where the leg exists is lowered when you turn in the direction of black arrow and raised when you turn in the opposite direction. Taking help from someone to slightly lift the refrigerator will facilitate this process.

## Door height adjustment

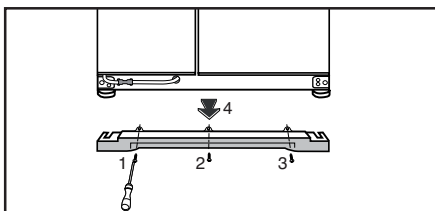
In case there is a problem with the alignment of the doors with respect to each other, they may be re-aligned vertically in the order given below. Ensure that door shelves are empty when adjusting the door height.

2. Loosen the three screws of the hinges of the lower door, which you wish to escalate, with the help of a screwdriver as shown in the figure below. (Do not remove completely) (See Figure C)

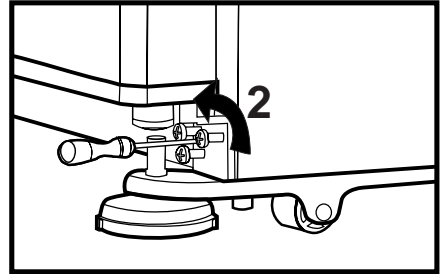


(A)

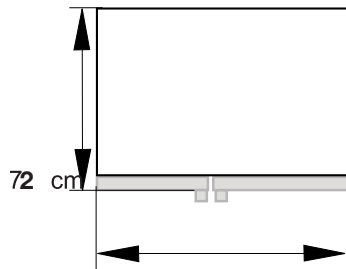
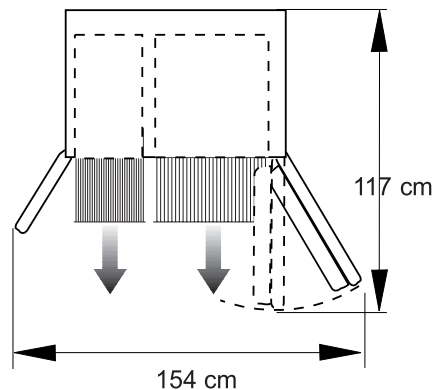
1. Remove the lower ventilation cover by unscrewing its screws as shown in the figure below. (See Figure B)



(B)



(C)

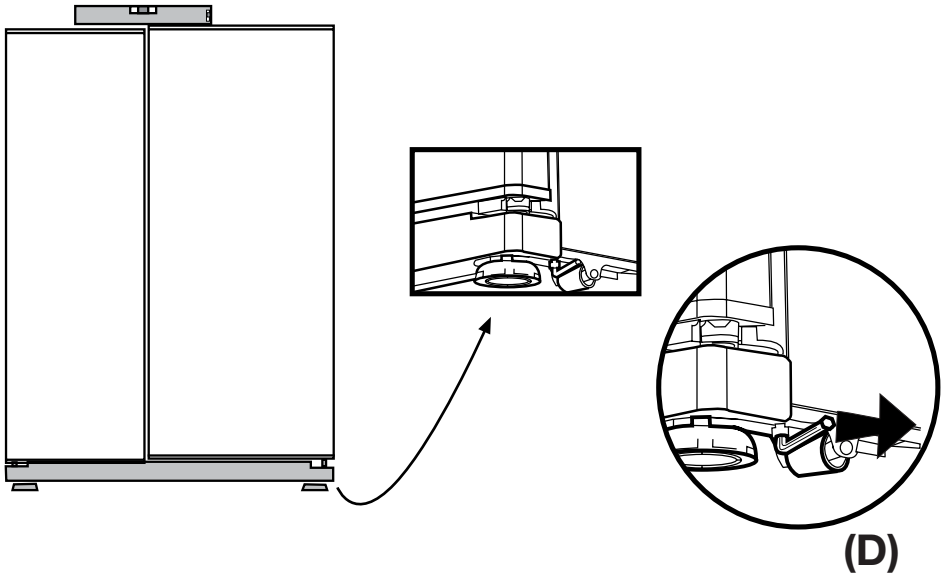


92 cm

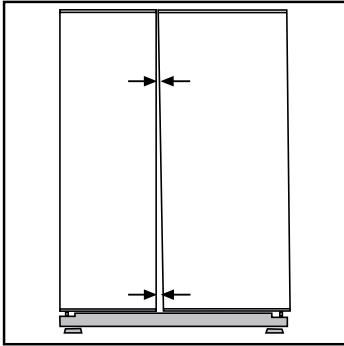
• If the freezer compartment door is lower than the fridge compartment door, bring them to the same level by turning the elevation screw on the freezer compartment side in the direction of arrow using a M6 Allen wrench as illustrated in Figure D.

After bringing the doors to the same level by elevating the front part with the aid of the elevation screws, ensure the doors of the refrigerator shall close properly. If the doors do not close properly, this might adversely affect the efficiency of the refrigerator.

• If the freezer compartment door is higher than the fridge compartment door, bring them to the same level by turning the elevation screw on the freezer compartment side in the reverse direction of arrow using a M6 Allen wrench as illustrated in Figure D.



## Adjusting the gap between the upper door



**i** You can adjust the gap between the fridge compartment doors as illustrated in the figures.

Door shelves should be empty when adjusting the door height.

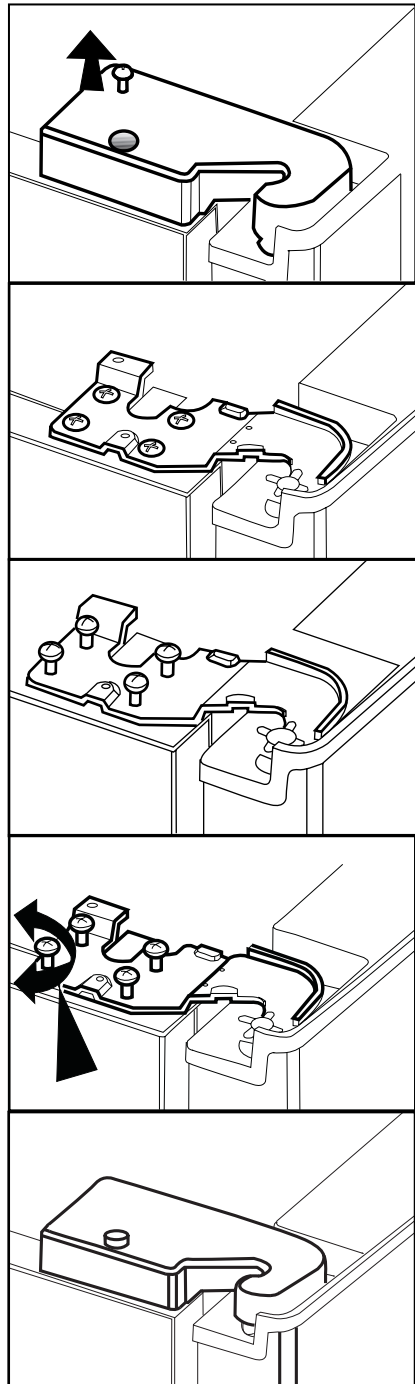
**Because of being wires in the hinge cover of the freezer door, switch off the refrigerator power before removing hinge covers and this situation should be made to take care.**

**i** Using a screwdriver, remove the screw of upper hinge cover of the door you want to adjust.

**i** Adjust the door appropriately as you desire by loosening the screws.

**i** Fix the door you have adjusted by tightening the screws without changing the position of the door.

**i** Replace the hinge cover and fix with the screw.



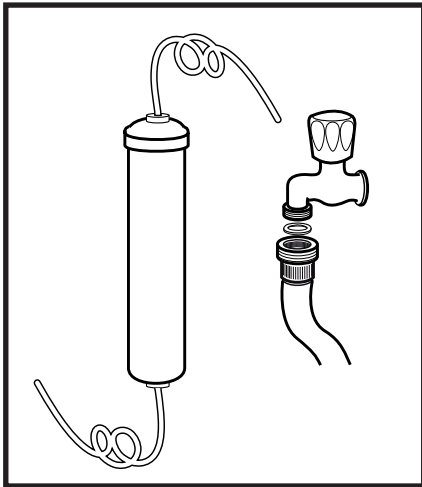
## Installing Water Filter

(in some models)

### Installation Requirements

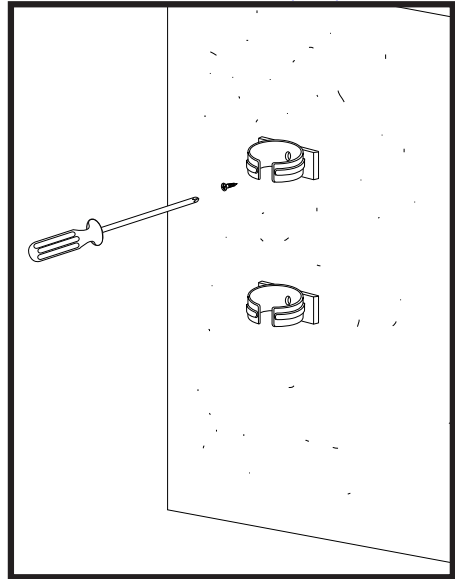
Two different water sources may be connected to the refrigerator for water supply: the mains cold water supply and water in a jug.

A pump should be used for jug water usage.



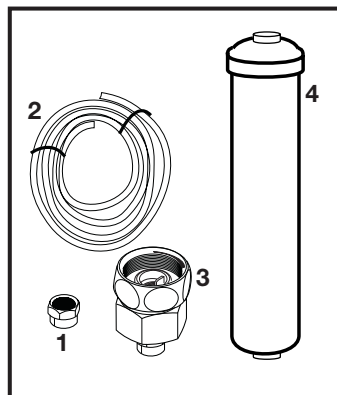
Check that the parts stated below are supplied with your appliance.

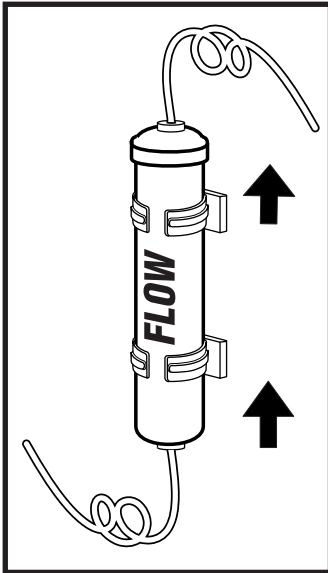
1. Union for connection of the water pipe to the rear of the appliance
2. 3 pieces of pipe clips (In case required to secure the water pipe)



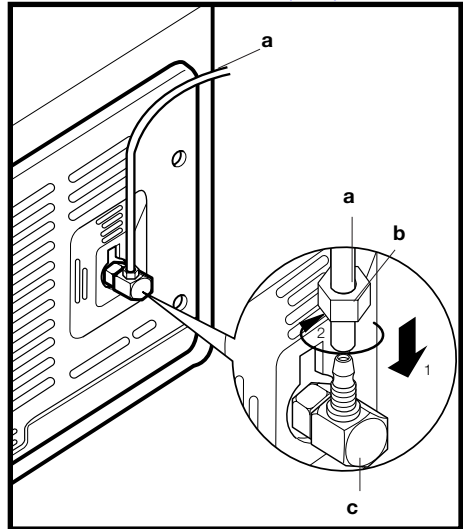
**i** Note: Since the following parts are not required in use with a jug, they may not be found in the product you purchased.

3. 5 meter long water pipe (1/4 inch in diameter)
4. Cold mains water valve with mesh filter (Tap Adapter)
5. Water Filter to be fitted to the bracket inside the fridge compartment.





**Water connection to the refrigerator**  
**Please follow the instructions below.**



### Connection of the Water Pipe to the Refrigerator

1. After installing the union onto the water pipe, insert the water pipe to the refrigerator inlet valve by pressing downwards firmly.

2. Fix union as seen in the opposite figure, by squeezing by hand on the refrigerator inlet valve.

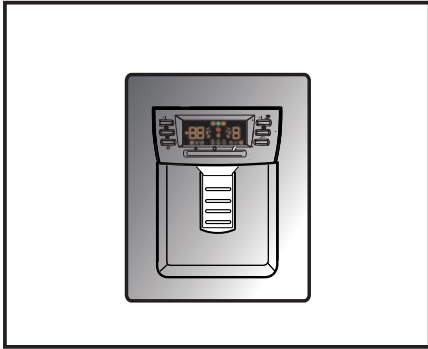
(a- Water Pipe, b-Union, c-Valve)

**i** Note 1: You should not need to tighten the union with a tool to achieve water tight assembly. In case of a leak use a spanner or a pair of pliers to tighten the union.

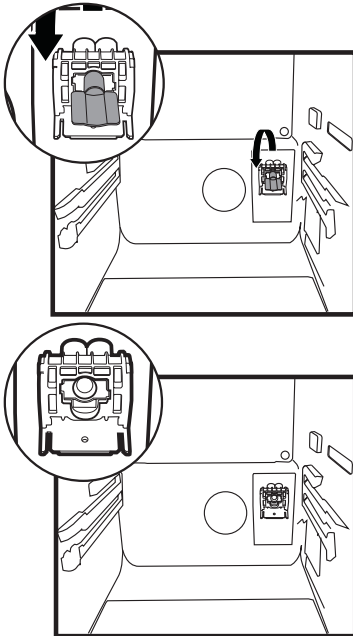
To fit the water filter follow the instructions below referring to figures supplied:



1. Press ice cancel button on the display. (Figure 1)



2. Remove the filter cover in the fridge compartment by pulling it forward. (Figure 2)



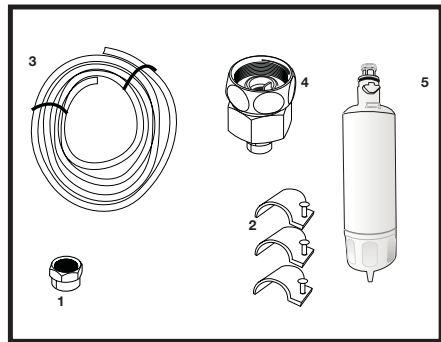
3. Take out the water filter by-pass cover by rotating it downwards. (Figure 3-4)

**⚠ Warning:** Make sure that the “Ice off” mode is active before taking out the by-pass cover.

Note: It is normal that a few drops of water drip after the cover has been taken out.

4. Remove the lid on top of the water filter to place it as shown in the figure and turn upwards to lock it. (Figure 5)
5. Press ice cancel button on the display again to exit from this mode.

Water filter should be replaced every 6 months. The water filter must be removed as shown in the figure when it is going to be replaced or when it will no longer be used and by-pass cover must be attached. It must be made sure that Ice Off mode is active before taking it out.



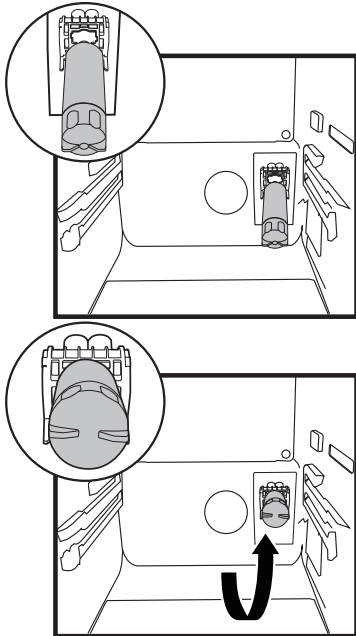
⚠ Warning: Water filter cleans some foreign particles in the water. It does not purify water from microorganisms.

⚠ Warning: Ice Off button must always be pressed during replacement of the water filter or installing the by-pass cover.

2. Put and fix the pump hose into the jug as shown in the figure.
3. After completing the connection, plug in and run the pump.

To provide an efficient operation of the pump, wait for 2-3 minutes after starting the pump.

**i** Note: You may refer to the user manual of the pump while making the water connection.

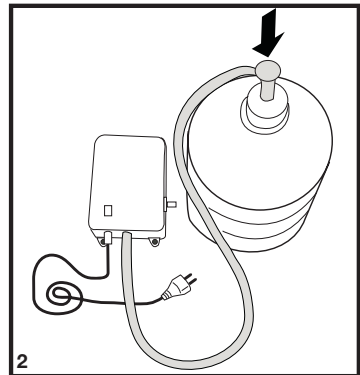
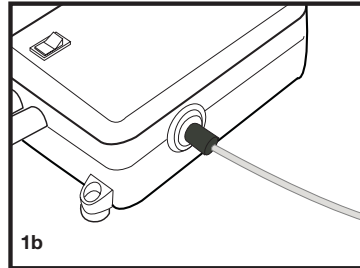
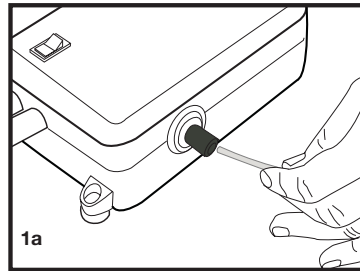


## Connection of Water Hose to the Jug

(in some models)

To connect water to the refrigerator from a jug, a pump is needed. Follow the instructions below after connecting one end of the water pipe coming out of the pump to the refrigerator as described on the previous page.

1. Finish the connection by pushing the other end of the water pipe into the water pipe inlet of the pump as shown in the figure.



## Connection of the Water Pipe to the Cold Water Mains Line

(in some models)

If you want to use your refrigerator by connecting it to the cold water mains line,

you will have to connect a standard 1/2" valve connection fitting to the cold water supply in your house. In case this valve is not present or in case you are not sure, consult a qualified plumber.

1. Separate the union from the tap adaptor. (Figure A)
2. Install the tap adaptor to 1/2" valve fitting as shown in the figure. (Figure B)
3. After inserting the water pipe to the union, install it to the tap adaptor and insert to the tap as shown in the figure. (Figure C)
4. Tighten the union manually. In case of a leak use a spanner or a pair of pliers to tighten the union.

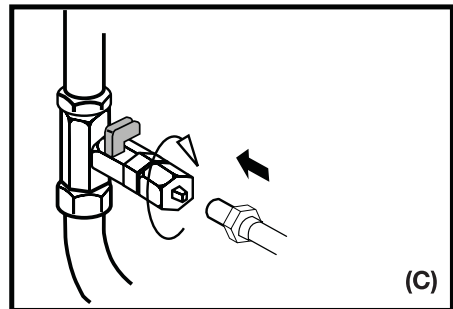
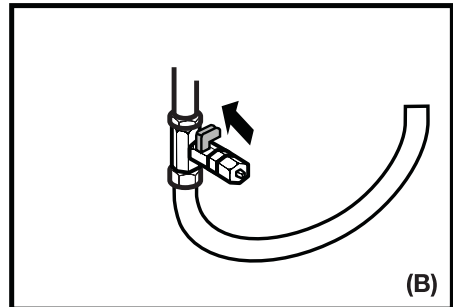
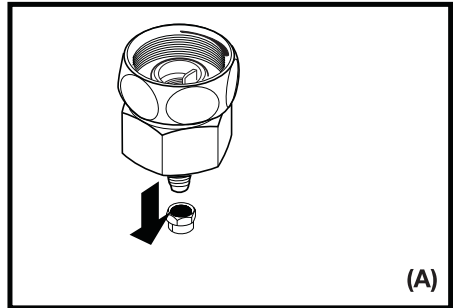
**⚠ Warning:** Secure the water pipe to suitable points by means of the pipe clips supplied to avoid any damage or displacement or accidental disconnection.

**⚠ Warning:** After turning on the water valve, make sure that there is no leakage at both connection points of the water pipe. In case of a leak, turn off the valve immediately and tighten all joints again using a spanner or a pair of pliers.

**⚠ Warning:** Make sure that standard 1/2" valve fitting fed by cold mains water supply is available and is turned off fully.

Note -1: There is no need to use water filter in case a jug is used.

Note -2: Pump must be used when jug will be used.



## Prior to first use of Ice/Water Dispenser

**i** Water mains pressure must not be below 1 bar.

**i** Water mains pressure must not be over 8 bars.

**i** Pumps must be used in case the supply water pressure drops below 1 bar or if a jug is going to be used.

**i** Water system of the refrigerator must be connected to the cold water line. It must not be connected to hot water line.

**i** No water may be obtained in the initial startup of the refrigerator. This is caused by the air in the system. To discharge air from the system, press Dispenser latch for periods of 1 minute until water comes from the Dispenser. Water flow may be irregular in the beginning. Irregular water flow will be normalized after the air in the system is discharged.

**i** At the initial startup of the refrigerator approx. 12 hours must pass before cold water can be obtained.

**i** Water mains pressure must be between 1-8 bars for the operation of Ice/Water Dispenser smoothly. For this, check that 1 glass of water (100 cc) can be filled in 10 seconds.

**i** The first 10 glasses of water should not be consumed.

**i** 12 hours must pass to obtain ice from the Ice Dispenser for the first time. If there is not enough ice in the ice dispenser, ice may not be obtained from ice dispenser.

**i** Approximately the first 30 cubes of ice to be obtained from the Ice Dispenser must not be used.

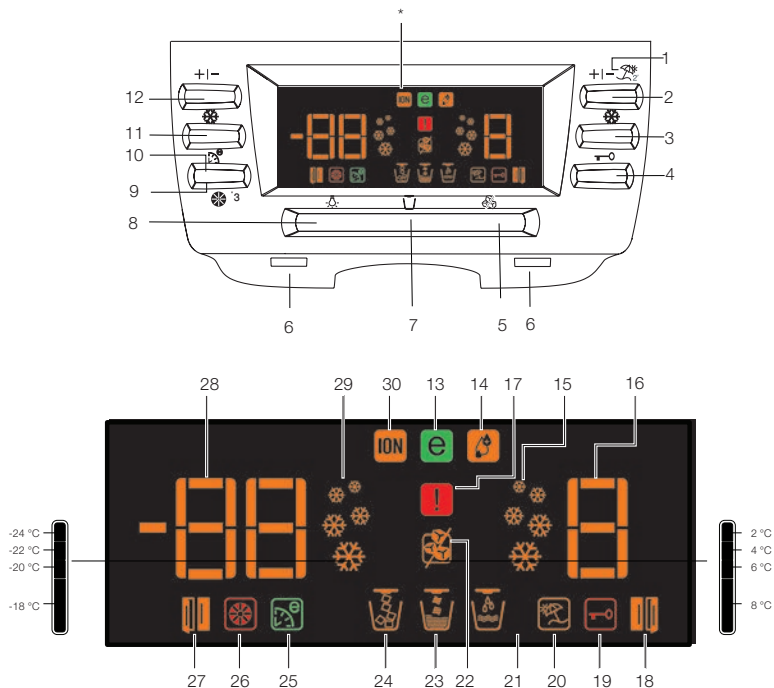
**i** Always use the water filter when a jug is not being used.

## 4 Preparation

---

- i** Your refrigerator should be installed at least 30 cm away from heat sources such as hobs, ovens, central heater and stoves and at least 5 cm away from electrical ovens and should not be located under direct sunlight.
- i** The ambient temperature of the room where you install your refrigerator should at least be 10°C. Operating your refrigerator under cooler conditions than this is not recommended with regard to its efficiency.
- i** Please make sure that the interior of your refrigerator is cleaned thoroughly.
- i** If two refrigerators are to be installed side by side, there should be at least 2 cm distance between them.
- i** When you operate your refrigerator for the first time, please observe the following instructions during the initial six hours.
  - The door should not be opened frequently.
  - It must be operated empty without any food in it.
  - Do not unplug your refrigerator. If a power failure occurs out of your control, please see the warnings in the “Recommended solutions for the problems” section.
- i** Original packaging and foam materials should be kept for future transportations or moving.

## 5 Using your refrigerator



1. Fridge Set button
  2. Vacation mode button
  3. Quick fridge button
  4. Key lock button
  5. Ice Off button
  6. Water Dispenser Lights
  7. Ice / Water selection button
  8. Water Dispenser light button
  9. Filter Reset button
  10. Auto Eco button
  11. Quick freeze button
  12. Freezer Set button
  13. Economy mode indicator
  14. High humidity indicator
  15. Quick cool indicator
  16. Fridge temperature setting indicator
  17. High temperature/error warning indicator
  18. Fridge door open indicator
  19. Key Lock indicator
  20. Vacation mode indicator
  21. Water indicator
  22. No ice indicator
  23. Crash Ice indicator
  24. Cube Ice indicator
  25. Auto Eco indicator
  26. Filter reset indicator
  27. Freezer door open indicator
  28. Freezer Compartment Temperature Setting indicator
  29. Fast Freeze indicator
  30. Ioniser indicator
- OPTIONAL

**i** Figures that take place in this instruction manual are schematic and may not correspond exactly with your product. If the subject parts are not included in the product you have purchased, then it is valid for other models.

Freezer Compartment Adjustment	Fridge Compartment Adjustment	Explanations
-15°C	4°C	This is the normal recommended setting.
-18,-21 or -24°C	4°C	These settings are recommended when the ambient temperature exceeds 30°C.
Fresh Freeze	4°C	Use this when you wish to freeze your food or make ice in a short time. Your refrigerator will return to its previous mode when the process is over.
-15°C or colder	2°C	If you think that your fridge compartment is not cold enough because of the hot conditions or frequent opening and closing of the door.
-15°C or colder	Quick Cool	You can use it when your fridge compartment is overloaded or if you wish to cool down your food rapidly.

## Setting the fridge compartment temperature

Fridge compartment temperature can be set at one of the following temperatures:

8,6,4 and 2°C

Press the Fridge Set button to change. The temperature will decrease by 2°C. Every time you press the button, the temperature will go down and then return to the highest setting. Release at the desired temperature and the new set temperature will be stored.

If you think that your food is colder than you desire, you can adjust the temperature setting of fridge compartment to 6 or 8.

## Setting the freezer compartment temperature

Freezer temperature can be set at one of the following temperatures : -15 / -18 / -21 / -24 and -24°C

Press the Freezer Set button to change. The temperature will decrease by 2°C. Every time you press the button, the temperature will go down and then return to the highest setting. Release at the desired temperature and the new set temperature will be stored.

## Fresh Freeze Function

When you press “Fresh Freeze” button, the compressor will run for about 14 hours. Fresh Freeze indicator will glow. To cancel this function press Fresh Freeze button again. Fresh Freeze indicator will turn off and return to its normal settings. Fresh Freeze will cancel itself automatically after about 12 hours if you do not cancel it.

If you want to freeze large amounts of fresh food, press the Fresh Freeze

## Ремонт холодильников

<http://rembitteh.ru/>

button 14 hours before putting the food into the freezer compartment.

## Ioniser

The ioniser helps purify the air in the fridge and is carried out automatically

## Quick Cool Function

When you press Quick Cool button, the temperature of the compartment will be colder than the adjusted values. This function can be used for food placed in the fridge compartment and required to be cooled down rapidly.

After pressing the Quick Cool button, Quick Cool indicator will glow. To cancel this function press Quick Cool button again. Quick Cool indicator will turn off and return to its normal settings. Quick Cool function will cancel itself automatically in case you do not cancel it.

## Key Lock Button

The key lock is activated when this button is pressed for 3 seconds and all buttons and the dispenser latch will not work. If you want to deactivate key lock press again for 3 seconds.

## Vacation Button

In case the fridge compartment will not be used for a long time, the usage of the fridge compartment may be cancelled by pressing on the Vacation Button. By this way, the refrigerator may operate more economically. Press on Vacation Button for 3 seconds to activate this function. When this function is active, the door of the fridge compartment must be kept closed and no food must be left in the fridge compartment.

## Water Dispenser Illumination

When the Light button is pressed, the water dispenser lamp will light up and it will go off when the button is pressed again. This illumination will also light up when the water dispenser latch is pressed, and it will go off a short while after the latch is released.

## Auto Eco Button (Special Economy function)

When "Auto Eco" button is pressed, Auto Economy Function will be activated. If the door of the fridge compartment is kept closed for a long time when this function is selected, the fridge compartment will switch to a more economic operation mode to save electricity automatically. When the Auto Eco button is pressed again, this function is deactivated.

## Water/Ice Type Selection

With Dispenser Selection button, either one of "water", "ice cube" or "crushed ice" options is selected.

## Ice/Water Dispenser

With its three different functions, the dispenser efficiently meets your cold water, cube ice and crushed ice needs without having to open the door of the refrigerator. It is a continuous cold water and ice source without adding water. User friendly control panel provides the following dispensing functions:

Note:

- Water or ice can be dispensed for a maximum of 90 seconds at each use.
- When the freezer door is open, the dispenser will not work.





Ice Cube  
Water



Crushed Ice



Cold

## Using the Ice Dispenser

**i** Please note, first ice cubes will not be ready before 12 hours after switching on the appliance.

In case you do not need ice, such as during winter or in case you are on vacation, select the ice off function.

**i** Ice device produces approximately 110 cubes of ice in 24 hours and this amount may change according to the frequency of opening of doors, refrigerator settings and power outage. Produced ice may be obtained from the dispenser as cube ice or crushed ice.

It is normal to get crushed ice from the dispenser in a longer time than in getting the ice cubes and also flowing of some crushed ice before the ice cubes drop if crushed ice option had been selected before selecting ice cube option.

**i** If the ice dispenser hasn't been used for a long time or after a power cut the ice may form clumps or if the ice has taken on a change in smell or taste then the ice must be disposed of and the icebox cleaned thoroughly.

### Warnings

**i** No ice must be added to the ice dispenser compartment. This may adversely affect the ice supply or crushing the ice.

**⚠** It is normal to have a couple of ice cubes stuck together in the icebank.

**⚠** Moving parts such as blades in a housing at the ice outlet of the dispenser must not be touched to avoid injury.

**⚠** Never use sharp objects to break the ice in the icebox. This may cause damage on the icebox.

**⚠** Food stuff should never be placed into the icebox for quick cooling purposes.

**⚠** When the icebox is to be removed for any reason, first of all Ice Off Button must be pressed.

## Ice Off

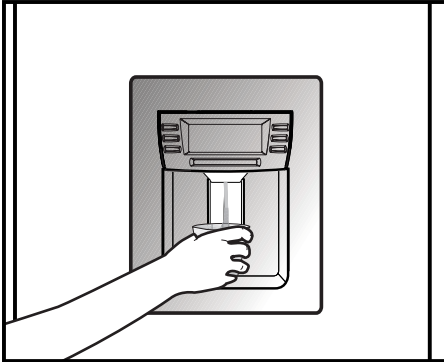
**i** To stop ice formation, Ice Off button is pressed. When Ice Off is selected, no water will be taken into the Icematic. However, already existing ice can be taken from the dispenser. To restart ice formation, Ice Off button must be pressed again.

**Warning:** If you do not use the ice dispenser, do not forget to put ice duct cover into the ring inside of the freezer door. **(See. Your Refrigerator section)**

### **FILTER Reset Button:**

Water filter should be replaced every six months. Filter reset indicator lits if water filter needs to be changed Press filter Reset Button for 3 seconds to remove filter reset indicator warning.

## Using the water spring



### Warnings

It is normal for the first few glasses of water taken from the dispenser to be warm.

In cases where the water dispenser has not been used frequently, sufficient amount of water must be drained from the dispenser to get fresh water.

### Spillage Tray

Water drops that drip during use, accumulates in the spillage tray. You can remove spillage tray by pulling it to yourself. You can remove the water with a sponge or a soft cloth.

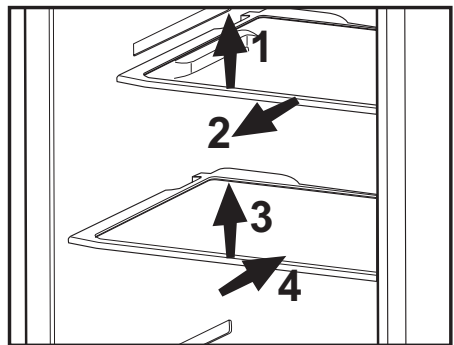


### Sliding Body Shelves

Sliding body shelves can be pulled by slightly lifting up from the front and moved back and forth. They come to a stop point when pulled towards front to allow you reach the foods placed at the back of the shelf; when it is pulled after slightly lifting upwards at the second stop point, the body shelf will be released.

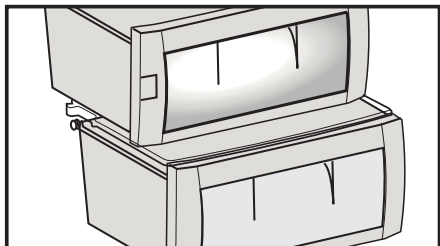
The shelf should be held tightly from the bottom as well in order to prevent it from tipping over. The body shelf is placed on the rails at the sides of the refrigerator body by bringing it to one lower or one upper level.

The body shelf should be pushed backwards to seat it completely.



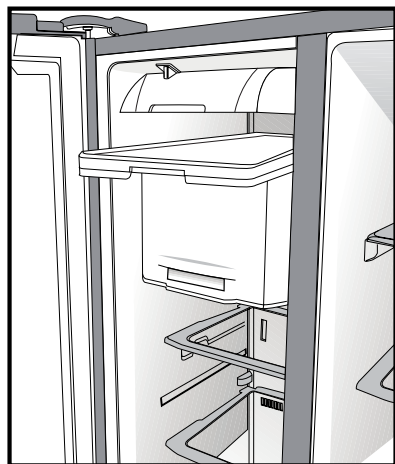
## Blue light

Foodstuff stored in the crispers that are enlightened with a blue light continue their photosynthesis by means of the wavelength effect of blue light and thus, preserve their freshness and increase their vitamin content.



## Fresh Freeze Compartment

This compartment freezes your food quickly and preserves their tastes and nutritional values.



## Ion:

Air is ionized by means of the ionizer system in the fridge compartment air duct. Thanks to this system, air-borne bacteria and particles that cause odor are removed.

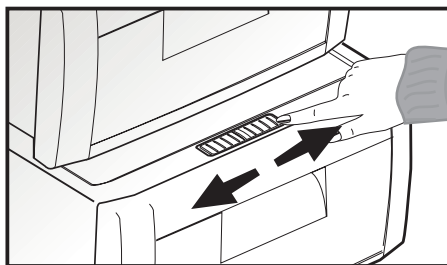
## Crisper humidity control sliders

Using the crisper humidity control sliders

Crisper of your refrigerator is designed specially to keep your vegetables fresh without losing their humidity. Cold air circulates basically around the crisper and the amount of the cold air passing through the crisper is controlled by the sliders on the front side of the crisper cover.

You can adjust the humidity control sliders to a suitable position according to the humidity and cooling condition of your food in the crisper.


If you want your food in the crisper to cool more, open the holes of the humidity control sliders and if you want them to cool less and keep their humidity for a longer time, close the holes.



## Egg tray

- You can install the egg holder to the desired door or body shelf.
- Never store the egg holder in the freezer compartment.

## Recommendations for preservation of frozen food

- Prepacked commercially frozen food should be stored in accordance with the frozen food manufacturer's instructions for a  (4 star) frozen food storage compartment.

- To ensure that the high quality achieved by the frozen food manufacturer and the food retailer is maintained, the following should be remembered:

1. Put packets in the freezer as quickly as possible after purchase.

2. Ensure that contents are labelled and dated.

3. Do not exceed "Use By", "Best Before" dates on the packaging.

If there is a power failure do not open the freezer door. Even if the power failure lasts up to the time specified on Type Label (inside left of the refrigerator), frozen food will not be affected. In case the failure lasts longer, the food must be checked and when necessary, must be consumed immediately or must be frozen after cooked.

## Defrosting

The fridge and freezer compartments defrost automatically.

## Replacing the Interior Light Bulb

Should the light fail to work, proceed as follows:

1. Switch off at the socket outlet and pull out the mains plug.

Remove all shelves and drawers for easy access.

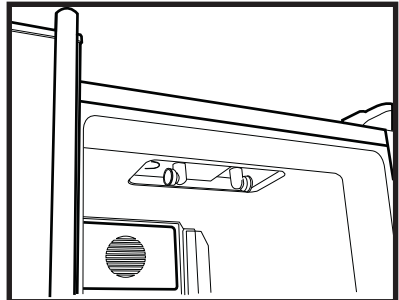
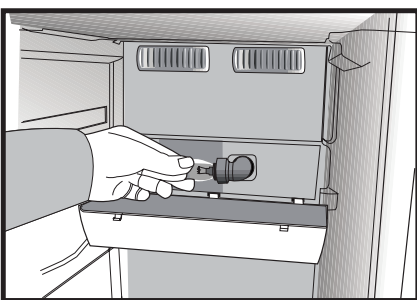
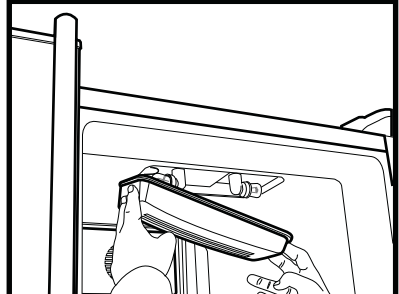
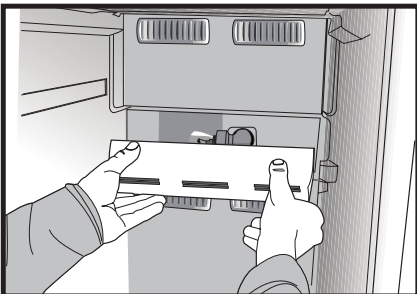
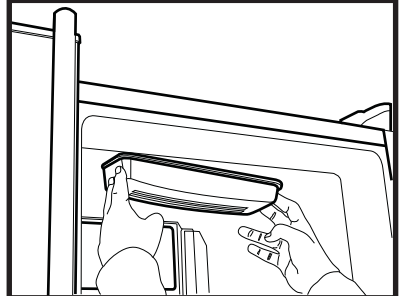
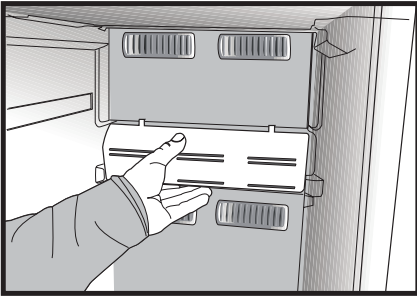
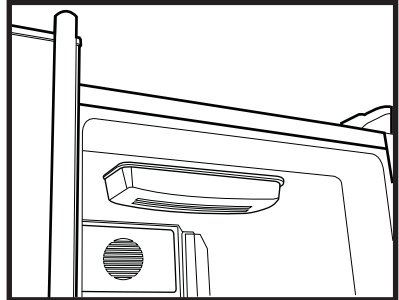
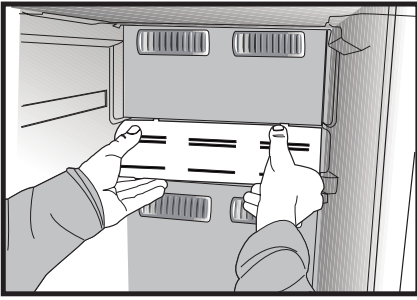
2. Illumination covers in freezer and fridge sections are opened by pressing by hand; first release one side and then the other by pressing on the sides as shown in the figures.

3. First check that the bulb has not worked loose by ensuring that it is screwed securely in the holder. Reinsert the plug and switch on. If the bulb works, reinstall the light cover by inserting the rear lug and pushing up to locate the front two lugs.

4. If the light still fails to work, switch off at the socket outlet and pull out the mains plug. Replace the bulb with a new 15 watt (max) screw cap E14 (SES) bulb.

5. Carefully dispose of the burnt-out light bulb immediately.

Replacement light bulb can easily be obtained from a good local electrical or DIY store.



## 6 Maintenance and cleaning

- ⚠ Never use gasoline, benzene or similar substances for cleaning purposes.
- ⚠ We recommend that you unplug the appliance before cleaning.
- ⚠ Never use any sharp abrasive instrument, soap, household cleaner, detergent and wax polish for cleaning.
- ℹ Use lukewarm water to clean the cabinet of your refrigerator and wipe it dry.
- ℹ Use a damp cloth wrung out in a solution of one teaspoon of bicarbonate of soda to one pint of water to clean the interior and wipe it dry.
- ⚠ Make sure that no water enters the lamp housing and other electrical items.
- ⚠ If your refrigerator is not going to be used for a long period of time, unplug the power cable, remove all food, clean it and leave the door ajar.
- ℹ Check door seals regularly to ensure they are clean and free from food particles.
- ⚠ To remove door racks, remove all the contents and then simply push the door rack upwards from the base.

### Protection of plastic surfaces

- ℹ Do not put the liquid oils or oil-cooked meals in your refrigerator in unsealed containers as they damage the plastic surfaces of your refrigerator. In case of spilling or smearing oil on the plastic surfaces, clean and rinse the relevant part of the surface at once with warm water.

## Icebox and Water Dispenser

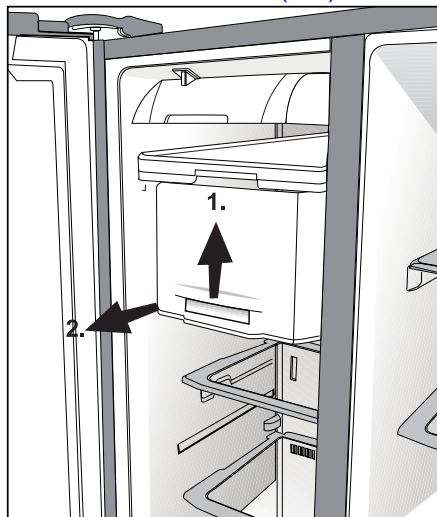
**i** Follow the procedure and warnings below to clean the icebox:

**⚠** Remove the Icebox by lifting first and then pulling towards yourself as shown in the diagram.

**⚠** Empty the ice in the Icebox if any. To take out the stuck ice, use objects that are not sharp to avoid any damage on the Icebox.

**⚠** Pay attention that the inside of the Icebox is not wet/damp before placing it back to its housing.

**⚠** If you want to get ice from the ice dispenser after placing the Icebox back to its housing and closing the freezer door, exit from Ice Off mode by pressing the Ice Off key again.



**⚠ Do not touch moving parts like the knife in the Icebox.**

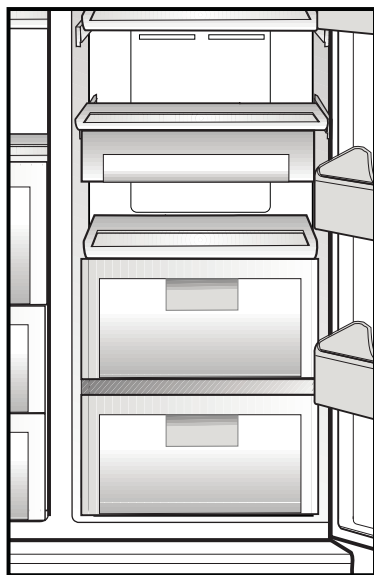
**i Leave the Water Reservoir empty when you are not going to use for a long time**

## Chiller compartment

If you wish to use the storage container under the shelf as the Chiller compartment, the storage container under the shelf should be placed as shown in the picture.

Chiller compartments enable the foods to be frozen become ready for freezing. You can also use these compartments to store your food at a temperature a few degrees below the fridge compartment.

You can increase the inner volume of your refrigerator by removing any of the chiller compartments. To do this, pull the compartment towards yourself; the compartment will lean against the stopper and stop. This compartment will be released when you lift it about 1 cm and pull it towards yourself.





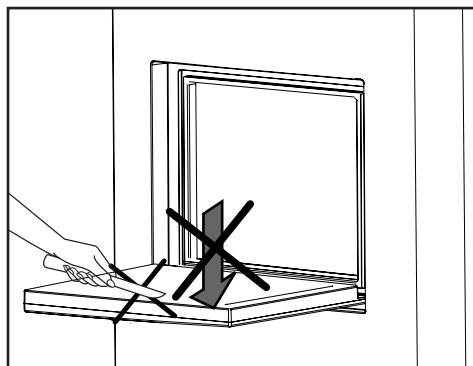
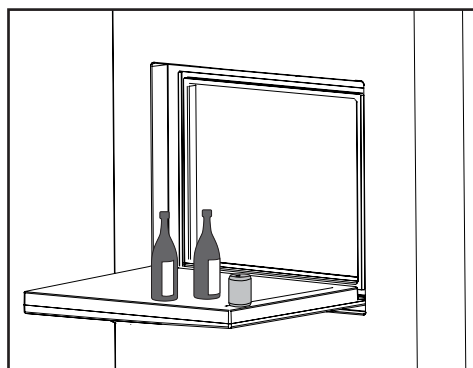
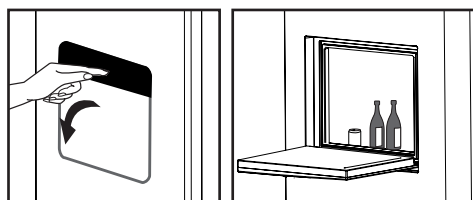
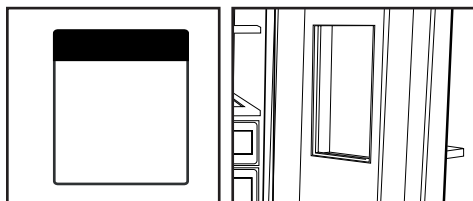
Minibar door provides you extra comfort when using your refrigerator. The door shelf in the refrigerator can be accessed without opening the refrigerator door; thanks to this feature, you can easily pick from the refrigerator the foods and drinks which you frequently consume. Since you do not have to open the refrigerator door frequently, you will have decreased the power consumption of refrigerator.

To open the minibar door, press by your hand on the minibar and pull back to open.

When the door of minibar is open, you may use the inner face of the door as a table on which you may put your bottles and glasses for a short time as shown in the figure.

**⚠ Warning:** Never do things that may put pressure on the door such as sitting on, climbing up or hanging to the table and do not place heavy objects on it. This may cause damage on the refrigerator or personal injuries.

**⚠ Warning:** Never perform cutting on the Minibar door and be careful that the door is not damaged by pointed objects.



## 7 Recommended solutions for the problems

Please review this list before calling the service. It might save you time and money. This list includes frequent complaints that are not arising from defective workmanship or material usage. Some of the features described here may not exist in your product.

The refrigerator does not operate.

- Is the refrigerator properly plugged in? Insert the plug to the wall socket.
- Is the fuse of the socket which your refrigerator is connected to or the main fuse blown out? Check the fuse.

Condensation on the side wall of the fridge compartment (MULTIZONE, COOL CONTROL and FLEXI ZONE).

- Very cold ambient conditions. Frequent opening and closing of the door. Highly humid ambient conditions. Storage of food containing liquid in open containers. Leaving the door ajar. Switching the thermostat to a colder degree.
- Decreasing the time the door left open or using it less frequently.
- Covering the food stored in open containers with a suitable material.
- Wipe the condensation using a dry cloth and check if it persists.

Compressor is not running

- Protective thermic of the compressor will blow out during sudden power failures or plug-out plug-ins as the refrigerant pressure in the cooling system of the refrigerator has not been balanced yet. Your refrigerator will start running approximately after 6 minutes. Please call the service if the refrigerator does not startup at the end of this period.
- The fridge is in defrost cycle. This is normal for a full-automatically defrosting refrigerator. Defrosting cycle occurs periodically.
- Your refrigerator is not plugged into the socket. Make sure that the plug is properly fit into the socket.
- Are the temperature adjustments correctly made?
- Power might be cut off.

The fridge is running frequently or for a long time.

- Your new product may be wider than the previous one. This is quite normal. Large refrigerators operate for a longer period of time.
- The ambient room temperature may be high. This is quite normal.
- The refrigerator might have been plugged in recently or might have been loaded with food. Cooling down of the refrigerator completely may last for a couple of hours longer.
- Large amounts of hot food might have been put in the refrigerator recently. Hot food causes longer running of the refrigerator until they reach the safe storage temperature.
- Doors might have been opened frequently or left ajar for a long time. The warm air that has entered into the refrigerator causes the refrigerator to run for longer periods. Open the doors less frequently.
- Freezer or fridge compartment door might have been left ajar. Check if the doors are tightly closed.
- The refrigerator is adjusted to a very low temperature. Adjust the refrigerator temperature to a warmer degree and wait until the temperature is achieved.
- Door seal of the fridge or freezer may be soiled, worn out, broken or not properly seated. Clean or replace the seal. Damaged/broken seal causes the refrigerator to run for a longer period of time in order to maintain the current temperature.

Freezer temperature is very low while the fridge temperature is sufficient.

- The freezer temperature is adjusted to a very low temperature. Adjust the freezer temperature to a warmer degree and check.

Fridge temperature is very low while the freezer temperature is sufficient.

- The fridge temperature might have been adjusted to a very low temperature. Adjust the fridge temperature to a warmer degree and check.

Food kept in the fridge compartment drawers are freezing.

- The fridge temperature might have been adjusted to a very low temperature. Adjust the fridge temperature to a warmer degree and check.

Temperature in the fridge or freezer is very high.

- The fridge temperature might have been adjusted to a very high degree. Fridge adjustment has an effect on the temperature of the freezer. Change the temperature of the fridge or freezer until the fridge or freezer temperature reaches to a sufficient level.
- Doors might have been opened frequently or left ajar for a long time; open them less frequently.
- Door might have been left ajar; close the door completely.
- Large amount of hot food might have been put in the refrigerator recently. Wait until the fridge or freezer reaches the desired temperature.
- The refrigerator might have been plugged in recently. Cooling down of the refrigerator completely takes time.

The operation noise increases when the refrigerator is running.
<ul style="list-style-type: none"> <li>The operating performance of the refrigerator may change due to the changes in the ambient temperature. It is normal and not a fault.</li> </ul>
Vibrations or noise.
<ul style="list-style-type: none"> <li>The floor is not even or it is weak. The refrigerator rocks when moved slowly. Make sure that the floor is strong enough to carry the refrigerator, and level.</li> <li>The noise may be caused by the items put onto the refrigerator. Items on top of the refrigerator should be removed.</li> </ul>
There are noises coming from the refrigerator like liquid spilling or spraying.
<ul style="list-style-type: none"> <li>Liquid and gas flows happen in accordance with the operating principles of your refrigerator. It is normal and not a fault.</li> </ul>
There is a noise like wind blowing.
<ul style="list-style-type: none"> <li>Fans are used in order to cool the refrigerator. It is normal and not a fault.</li> </ul>
Condensation on the inner walls of refrigerator.
<ul style="list-style-type: none"> <li>Hot and humid weather increases icing and condensation. It is normal and not a fault.</li> <li>Doors might have been left ajar; make sure that the doors are closed fully.</li> <li>Doors might have been opened frequently or left ajar for a long time; open them less frequently.</li> </ul>
Humidity occurs on the outside of the refrigerator or between the doors.
<ul style="list-style-type: none"> <li>There might be humidity in the air; this is quite normal in humid weather. When the humidity is less, condensation will disappear.</li> </ul>
Bad odour inside the refrigerator.
<ul style="list-style-type: none"> <li>Inside of the refrigerator must be cleaned. Clean the inside of the refrigerator with a sponge, lukewarm water or carbonated water.</li> <li>Some containers or package materials might cause the smell. Use a different container or different brand packaging material.</li> </ul>
The door is not closing.
<ul style="list-style-type: none"> <li>Food packages may prevent the door's closing. Replace the packages that are obstructing the door.</li> <li>The refrigerator is not completely upright on the floor and rocking when slightly moved. Adjust the elevation screws.</li> <li>The floor is not level or strong. Make sure that the floor is level and capable to carry the refrigerator.</li> </ul>
Crispers are stuck.
<ul style="list-style-type: none"> <li>The food might be touching the ceiling of the drawer. Rearrange food in the drawer.</li> </ul>

Producer: «Arcelik A.S.»

Address: Karaağaç Caddesi No:2-6 Sütlüce, 34445, Turkey

Made in Turkey

Importer in Russia: «BEKO LLC»

Address: 601010, Vladimirskaja oblast, Kirjach region, factory «BEKO»

The manufacture date is included in the serial number of a product specified on rating label, which is located on a product, namely: first two figures of serial number indicate the year of manufacture, and last two – the month. For example, "10-100001-05» indicates that the product was produced in May, 2010.

You can ask for certification number from our Call Center 8-800-200-23-56

**Пожалуйста, сначала прочтите данное руководство!**

Уважаемый покупатель!

Надеемся, что наше изделие, выпущенное на современных предприятиях, и проверенное с помощью самых тщательных процедур контроля качества, будет надежно служить вам.

Поэтому, прежде чем пользоваться изделием, рекомендуем внимательно и полностью изучить данное руководство и хранить его под рукой для использования в справочных целях в будущем.



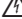
**Данное руководство**

- Поможет вам быстро и безопасно пользоваться изделием.
- Прежде чем устанавливать изделие и пользоваться им, прочтите руководство.
- Соблюдайте инструкции, особенно в отношении техники безопасности.
- Храните руководство в легко доступном месте, так как оно может понадобиться вам в будущем.
- Кроме того, прочитайте другие документы, поставляющиеся в комплекте с изделием.

Просим учесть, что данное руководство по эксплуатации может применяться и для других моделей.

**Символы и их описания**

В данном руководстве по эксплуатации используются следующие символы:

-  Важная информация или полезные советы по эксплуатации.
-  Предупреждение об опасности для жизни и имущества.
-  Предупреждение об опасном напряжении электросети.

Переработка



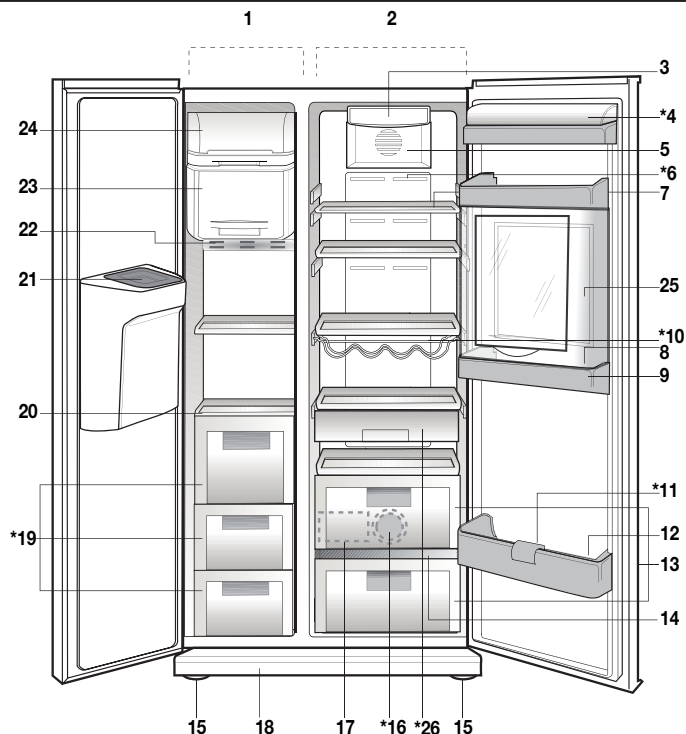
На данное изделие нанесен символ избирательной сортировки для отходов электрического и электронного оборудования (WEEE).

Это значит, что с данным изделием следует обращаться в соответствии с Европейской Директивой 2002/96/ЕС с целью его переработки или разборки для уменьшения отрицательного воздействия на окружающую среду. За дополнительной информацией обратитесь в местные или региональные органы власти.

Электронная техника, не включенная в процесс избирательной сортировки отходов, представляет потенциальную опасность для окружающей среды и здоровья людей из-за наличия в ней опасных веществ.

<b>1 Холодильник</b>	<b>3</b>	холодильного отделения .....	22
		Регулировка температуры	
		морозильного отделения .....	22
<b>2 Важные указания по технике безопасности</b>	<b>4</b>	Функция замораживания свежих	
		продуктов .....	22
Использование по назначению .....	4	Функция быстрого охлаждения.....	23
Для изделий с раздатчиком		Кнопка режима временного	
охлажденной воды:.....	6	отключения .....	23
Безопасность детей.....	6	Кнопка «Auto Eco» (функция особо	
Предупреждение органов		экономичного режима).....	23
здравоохранения.....	6	Ионизатор .....	23
Рекомендации по использованию		Кнопка блокировки клавиш .....	23
отделения для свежих продуктов ...	7	Подсветка распределителя воды ..	23
Рекомендации по экономии		Выбор воды/льда .....	23
электроэнергии .....	8	Распределитель льда/воды.....	23
Технические характеристики		Использование распределителя	
морозильника .....	8	льда.....	24
<b>3 Установка</b>	<b>9</b>	Функция отключения льда .....	24
Что следует учитывать при		Пользование краном подачи воды	
транспортировке холодильника.....	9	Лоток для разлитых продуктов .....	25
Перед эксплуатацией холодильника	9	Выдвижные полки.....	25
Подключение к электросети.....	10	Синий свет.....	26
Утилизация упаковки.....	10	Ионизация: .....	26
Утилизация старого холодильника	10	Лоток для яиц.....	26
Размещение и установка .....	10	Отделение замораживания свежих	
Регулировка положения на полу .....	11	продуктов .....	26
Регулировка зазора между верхними		Регуляторы влажности в контейнерах	
дверцами .....	13	для фруктов и овощей.....	26
Установка водяного фильтра .....	14	Рекомендации по хранению	
Подключение водопроводной трубы к		замороженных продуктов.....	27
холодильнику. ....	15	Размораживание .....	27
Подсоединение шланга подачи воды к		Замена лампочки внутреннего	
баку .....	17	освещения .....	27
Подключение водопроводной трубы к		<b>6 Обслуживание и чистка</b>	<b>29</b>
водопроводной линии .....	18	Защита пластмассовых	
(в некоторых моделях) .....	18	поверхностей .....	29
Прежде чем использовать		Контейнер для льда и распределитель	
распределитель льда/воды .....	19	воды .....	30
<b>4 Подготовка</b>	<b>20</b>	Мини-бар.....	32
<b>5 Эксплуатация</b>	<b>21</b>	<b>7 Рекомендации</b>	
<b>холодильника</b>		<b>по устранению</b>	
Регулировка температуры		<b>неисправностей</b>	<b>33</b>

# 1 Холодильник



- |  |   |
|--|---|
| 1. Морозильное отделение                   | 15. Регулируемые передние ножки                 |
| 2. Холодильное отделение                   | 16. Синий свет                                  |
| 3. Внутреннее освещение холодильной камеры | 17. Водяной бак                                 |
| 4. Крышка отсека для масла и сыра          | 18. Вентиляционная решетка                      |
| 5. Вентилятор                              | 19. Выдвижные контейнеры для морозильной камеры |
| 6. Ионизатор                               | 20. Стеклопалки морозильной камеры              |
| 7. Стеклопалки холодильного отделения      | 21. Крышка контейнера для льда                  |
| 8. Лоток для яиц                           | 22. Внутреннее освещение камеры морозильника    |
| 9. Дверная стойка морозильной камеры       | 23. Отделение замораживания свежих продуктов    |
| 10. Отсек для вин                          | 24. Лоток для льда                              |
| 11. Держатель для бутылок                  | 25. Мини-бар                                    |
| 12. Полки для бутылок                      | 26. Отделение охладителя                        |
| 13. Отделения для овощей и фруктов         | *необязательный                                 |
| 14. Крышка контейнера для фруктов и овощей |   |

**И**ллюстрации в данной инструкции являются схематическими и могут отличаться от вашей модели. Если некоторые компоненты не входят в состав приобретенного вами изделия, они действительны для других моделей.



## 2 Важные указания по технике безопасности

Обязательно ознакомьтесь со следующей информацией. Игнорирование данной информации может привести к причинению травм или повреждению имущества. Кроме того, гарантийные обязательства и обязательства по эксплуатационной надёжности утратят силу.

Срок службы приобретенного вами изделия составляет 10 лет. Это срок, в течение которого предоставляются запасные части, необходимые для нормальной работы изделия.

### Использование по назначению

Это изделие предназначено для использования

- в помещении и на закрытых пространствах, например, в доме;
- в закрытых рабочих помещениях, например, в магазинах и офисах;
- в закрытых жилых помещениях, например, в загородных домах, гостиницах, пансионатах.
- Это изделие предназначено для использования только в помещении.

### Общие правила техники безопасности

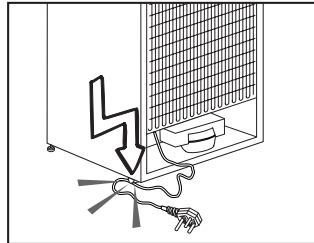
- В случае необходимости утилизировать или уничтожить изделие для получения необходимой информации рекомендуется обратиться в фирменный сервисный центр, а также в местные органы власти.
- По всем вопросам, касающимся холодильника, обращайтесь в фирменный сервисный центр. Не вмешивайтесь в работу изделия и не разрешайте этого другим без уведомления фирменного сервисного центра.
- Для изделий с морозильным отделением: не ешьте мороженое в рожках и кубики льда сразу после их извлечения из морозильного отделения! (Это может вызвать обморожение полости рта.)
- Для изделий с морозильным отделением: не помещайте напитки в бутылках и банках в морозильное отделение. Они могут лопнуть.
- Не дотрагивайтесь до замороженных продуктов – они могут примерзнуть к рукам.
- Отключайте холодильник от сети перед чисткой или размораживанием.
- Ни в коем случае не используйте для чистки и размораживания холодильника пар или аэрозольные чистящие средства. В этом случае пар может попасть на электрические компоненты, что приведет к короткому замыканию или поражению электрическим током.
- Ни в коем случае не используйте холодильник или его части (например, дверцу) в качестве подставки или опоры.
- Не используйте электрические приборы внутри холодильника.
- Не допускайте повреждения частей, в которых циркулирует хладагент, используя режущие или сверлильные инструменты. Хладагент может вырваться из пробитого испарителя, трубопроводов или покрытий поверхности и вызвать раздражение кожи и поражение глаз.
- Ни в коем случае не закрывайте и не закупоривайте вентиляционные отверстия холодильника.
- Ремонт электрического оборудования должны производить только квалифицированные специалисты. Ремонт, выполненный некомпетентными лицами, может создать опасность для потребителя.
- В случае неполадок во время эксплуатации, а также при проведении техобслуживания или ремонта отключите холодильник, выключив соответствующий предохранитель или вынув шнур питания из розетки.
- Не тяните за сетевой шнур, вынимая вилку из розетки.
- Крепкие спиртные напитки следует

**Ремонт холодильников**<http://rembitteh.ru/>

хранить в плотно закрытом виде и вертикальном положении.

- Нельзя хранить в холодильнике банки с горючими и взрывоопасными веществами.
- Для ускорения процесса размораживания не используйте механические устройства или другие средства, кроме тех, которые рекомендованы производителем.
- Данный электроприбор не предназначен для использования лицами (включая детей) с ограниченными физическими, сенсорными и интеллектуальными возможностями либо не имеющими опыта и знаний. Они могут пользоваться электроприбором только под наблюдением лица, ответственного за их безопасность, или под его руководством.
- Ни в коем случае нельзя пользоваться неисправным холодильником. При возникновении вопросов обращайтесь к квалифицированному специалисту.
- Электрическая безопасность гарантируется только в том случае, если система заземления в вашем доме соответствует стандартам.
- Воздействие на устройство дождя, снега, солнца или ветра опасно с точки зрения электробезопасности.
- В случае повреждения шнура питания и т.п. обратитесь в фирменный сервисный центр, чтобы не подвергать себя опасности.
- Ни в коем случае нельзя включать холодильник в розетку во время установки. Это может привести к серьезным травмам или смерти.
- Этот холодильник предназначен только для хранения пищевых продуктов. Его нельзя использовать для каких-либо иных целей.
- Табличка с техническими характеристиками находится слева на внутренней стенке холодильника.
- Ни в коем случае нельзя подключать холодильник к электронным системам экономии электроэнергии, поскольку это может привести к его поломке.

- При наличии в холодильнике синей подсветки не смотрите на нее через оптические устройства.
- При отключении от сети электропитания холодильника с ручным управлением подождите не менее 5 минут, прежде чем подключать его снова.
- В случае продажи изделия эту инструкцию по эксплуатации следует передать новому владельцу.
- При транспортировке холодильника избегайте повреждения шнура питания. Изгибание шнура питания может привести к возгоранию. Не ставьте на него тяжелые предметы. При подключении холодильника к сети электропитания не прикасайтесь к вилке влажными руками.



- Ни в коем случае нельзя подключать холодильник к плохо закрепленной стенной розетке сети электропитания.
- Из соображений безопасности не допускайте попадания воды на внешние или внутренние части холодильника.
- Не распыляйте рядом с холодильником воспламеняющиеся газы, такие как газ пропан, ввиду риска пожара или взрыва.
- Не ставьте сосуды с водой на холодильник, поскольку это может привести к поражению электрическим током или пожару.
- Не загружайте холодильник продуктами сверх меры. Если холодильник перегружен, продукты могут выпасть при открытии дверцы и травмировать вас или повредить холодильник. Не кладите предметы на холодильник, поскольку они могут упасть при открытии или закрытии дверцы.

- В холодильнике нельзя хранить вещества, требующие определенных температурных условий, такие как вакцины, термочувствительные медикаменты, материалы для научных исследований и т.п.
- Холодильник следует отключить от электросети, если он не будет использоваться в течение длительного времени. Неисправность шнура питания может привести к возгоранию.
- Необходимо регулярно регулировать концы вилки шнура электропитания; несоблюдение этого условия может привести к пожару.
- Необходимо регулярно очищать контакты вилки шнура питания сухой тканью. Несоблюдение этого правила может привести к пожару.
- Холодильник может смещаться, если регулируемые ножки не зафиксированы на полу. Фиксирование регулируемых ножек на полу предотвратит смещение холодильника.
- При перемещении холодильника не держите его за ручку. В противном случае он может поломаться.
- При установке холодильника расстояние между ним и другим холодильником или морозильником должно составлять минимум 8 см. В противном случае боковые прилегающие стенки будут увлажняться.

## Для изделий с раздатчиком охлажденной воды:

Давление в водопроводной линии не должно быть ниже 1 бара. Давление в водопроводной линии не должно быть выше 8 бар.

- Используйте только питьевую воду.

## Безопасность детей

- Если на дверце есть замок, ключ следует хранить в недоступном для детей месте.
- Следует присматривать за детьми и не разрешать им портить холодильник.

## Предупреждение органов здравоохранения

### Если система охлаждения вашего изделия содержит R600a:

Этот газ огнеопасен, поэтому будьте осторожны, чтобы не повредить систему охлаждения и трубопроводы при эксплуатации и во время транспортировки. В случае повреждения уберите устройство подальше от потенциальных источников огня, которые могут привести к возгоранию, а также проветривайте помещение, в котором находится устройство.

### Не обращайте внимания на предупреждение, если система охлаждения вашего изделия содержит R134a.

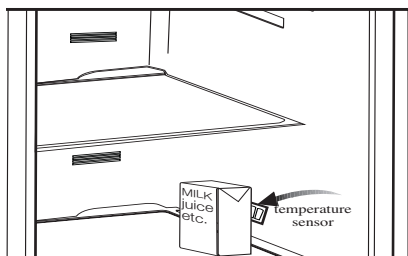
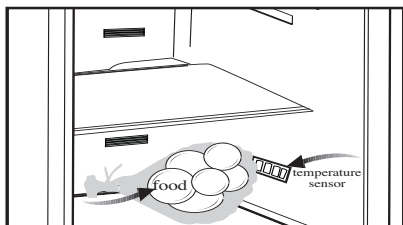
Тип газа, используемого изделием, указан на паспортной табличке, расположенной слева на внутренней стенке холодильника.

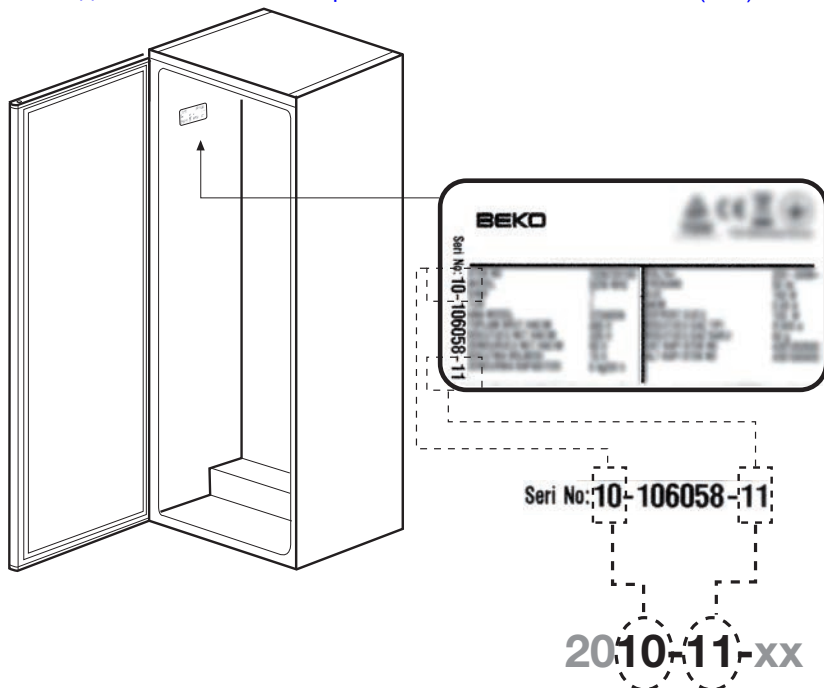
Не сжигайте изделие в целях утилизации.

## Рекомендации по использованию отделения для свежих продуктов

### \*необязательный

- Не допускайте какого-либо контакта продуктов с температурным датчиком в отделении для свежих продуктов. Для поддержания идеальной температуры хранения в отделении для свежих продуктов датчик не должен закрываться хранящимися там продуктами.
- Не помещайте в холодильник горячие продукты.





## Рекомендации по экономии электроэнергии

- Не оставляйте дверцу холодильника открытой на длительное время.
- Не кладите в холодильник горячие продукты или напитки.
- Не перегружайте холодильник, чтобы не нарушать циркуляцию воздуха.
- Не устанавливайте холодильник в местах, где на него попадают прямые солнечные лучи, или поблизости от источников тепла, таких как плита, посудомоечная машина или радиатор отопления.
- Следите за тем, чтобы контейнеры с продуктами были закрыты.
- Для изделий с морозильным отделением: в морозильное отделение холодильника можно заложить максимальное количество продуктов, если достать из него полку или ящик. Указанное в технических характеристиках энергопотребление холодильника определено при условии, что полка или ящик морозильного отделения извлечены, и в него загружено максимально возможное количество продуктов. Полку и ящик можно использовать для замораживания продуктов в соответствии с их формой и размером.
- Таяние замороженных продуктов в холодильном отделении обеспечит экономию электроэнергии и сохранение качества продуктов.

## Технические характеристики морозильника

Класс энергетической эффективности	A+
Класс защиты	1

## 3 Установка

- И** Помните, что производитель не несет ответственности в случае несоблюдения указаний, приведенных в настоящем руководстве.

### Что следует учитывать при транспортировке холодильника

1. Из холодильника следует вынуть все продукты и промыть его перед любой транспортировкой.
2. Перед упаковкой все полки, оборудование, контейнеры для фруктов и овощей и т.п. в холодильнике должны быть хорошо закреплены от тряски при помощи клейкой ленты.
3. Упаковывая холодильник с помощью плотных лент и прочных веревок, следует придерживаться правил транспортировки, напечатанных на упаковке.

**И** **Помните!**

Вторичное использование материалов очень важно для сохранения природы и наших национальных богатств.

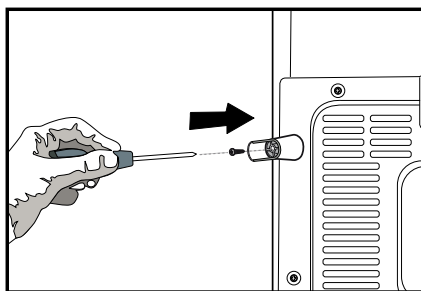
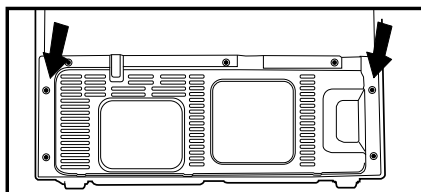
Если вы хотите отправить на переработку материалы упаковки, более подробную информацию можно получить в экологических учреждениях или в органах местной власти.

### Перед эксплуатацией холодильника

Перед началом эксплуатации изделия проверьте следующее:

1. Сухо ли внутри холодильника, и может ли воздух свободно циркулировать позади него?

2. Можно установить два пластиковых упора, как показано на рисунке. Пластиковые упоры обеспечат необходимое расстояние между холодильником и стеной для надлежащей циркуляции воздуха. (Изображение на рисунке предназначено только для иллюстрации и не совпадает полностью с вашим изделием.)



3. Выполните чистку холодильника в соответствии с рекомендациями, приведенными в разделе «Обслуживание и чистка».
4. Включите холодильник в сеть. При открытии дверцы загорается лампочка внутреннего освещения.
5. При запуске компрессора будет слышен шум. Жидкость и газы, находящиеся внутри герметичной системы охлаждения, также могут создавать шум, независимо от того, работает компрессор или нет, что является вполне нормальным явлением.
6. Передние кромки холодильника могут казаться теплыми. Это нормально. Эти области должны нагреваться, чтобы избежать конденсации.

## Подключение к электросети

Подсоедините морозильную камеру к правильно установленной заземленной розетке, защищенной предохранителем с соответствующим номиналом.

Важно!

- ⚠ Подключение следует выполнять в соответствии с действующими в стране правилами.
- ⚠ Вилка сетевого шнура должна быть легко доступна после установки.
- ⚠ Напряжение и допустимые параметры предохранителей указаны в разделе «Технические характеристики».
- ⚠ Напряжение в сети должно соответствовать указанному напряжению.
- ⚠ Запрещается использовать при установке удлинители и многоконтактные штепсельные вилки.
- ⚠ Поврежденный шнур питания должен быть заменен квалифицированным электриком.
- ⚠ Запрещается пользоваться изделием до его ремонта. Имеется опасность поражения электрическим током.

## Утилизация упаковки

⚠ Упаковочные материалы могут быть опасны для детей. Храните упаковочный материал в недоступном для детей месте или утилизируйте его, рассортировав в соответствии с правилами утилизации отходов. Не утилизируйте их вместе с обычными бытовыми отходами.

Упаковочные материалы холодильника изготовлены из материалов, подлежащих вторичной переработке.

## Утилизация старого холодильника

Утилизация старого изделия должна выполняться экологически безопасным способом.

- ⚠ Чтобы узнать, как утилизировать изделие, вы можете обратиться к авторизованному дилеру или в пункт сбора отходов по месту жительства.
- ⚠ Прежде чем утилизировать холодильник, отрежьте шнур питания и, в случае наличия замков на дверце, выведите их из строя, чтобы предотвратить создание опасных ситуаций для детей.

## Размещение и установка

⚠ Внимание! Не включайте холодильник в розетку во время его установки. В противном случае, существует опасность получения серьезных травм или смертельного случая.

⚠ Если дверь помещения, в котором будет установлен холодильник, недостаточно широка, обратитесь в авторизованный сервисный центр за помощью в снятии дверец холодильника и пронести в дверь холодильник боком.

1. Устанавливайте холодильник в месте, удобном для его использования.
2. Холодильник должен находиться в месте, удаленном от источника тепла, мест повышенной влажности, защищенном от прямых солнечных лучей.
3. Для более эффективной работы необходимо обеспечить хорошую вентиляцию вокруг холодильника. Если холодильник устанавливается в нише стены, минимальное расстояние до потолка должно составлять не менее 5 см и 5 см до стены.

Если пол имеет ковровое покрытие, следует поднять холодильник на 2,5 см над уровнем пола.

4. Холодильник должен стоять на ровной поверхности для того, чтоб не возникала тряска.

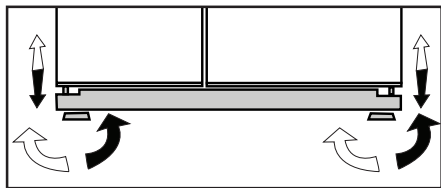
5. Температура помещения, в котором находится холодильник, не должна быть меньше 10°C.

1. Снимите нижнюю вентиляционную крышку, открутив винты, как показано на рисунке ниже. (См. рис. Б.)

## Регулировка положения на полу

Если холодильник расположен неустойчиво:

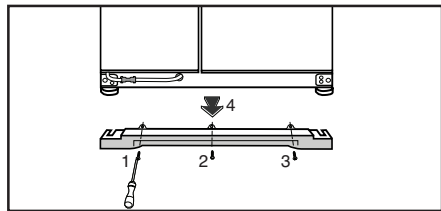
Вы можете отрегулировать устойчивое положение холодильника вращением передних ножек, как показано на рисунке. (См. рис. А.) Угол холодильника, под которым находится ножка, будет опускаться, если поворачивать ее в направлении черной стрелки, или подниматься, если поворачивать ее в противоположном направлении. Если слегка приподнять холодильник, это облегчит процесс.



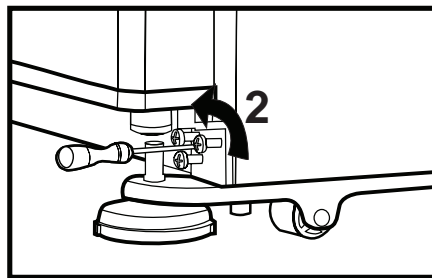
(А)

## Регулировка дверей по высоте

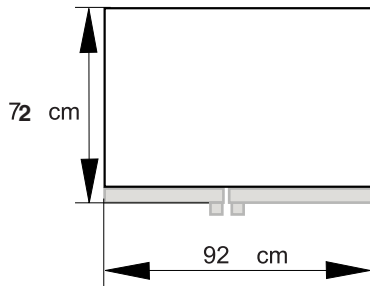
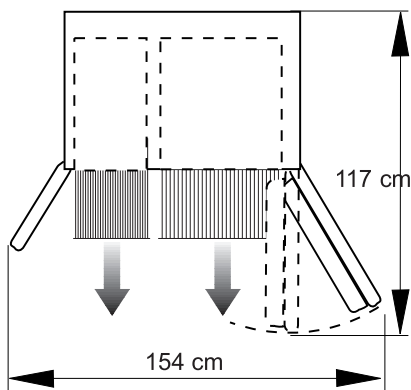
При возникновении проблемы с подгонкой установки дверей относительно друг друга, их можно подровнять по вертикали в порядке, указанном ниже. При регулировке высоты дверей убедитесь в том, что в них нет продуктов.



(В)



(С)



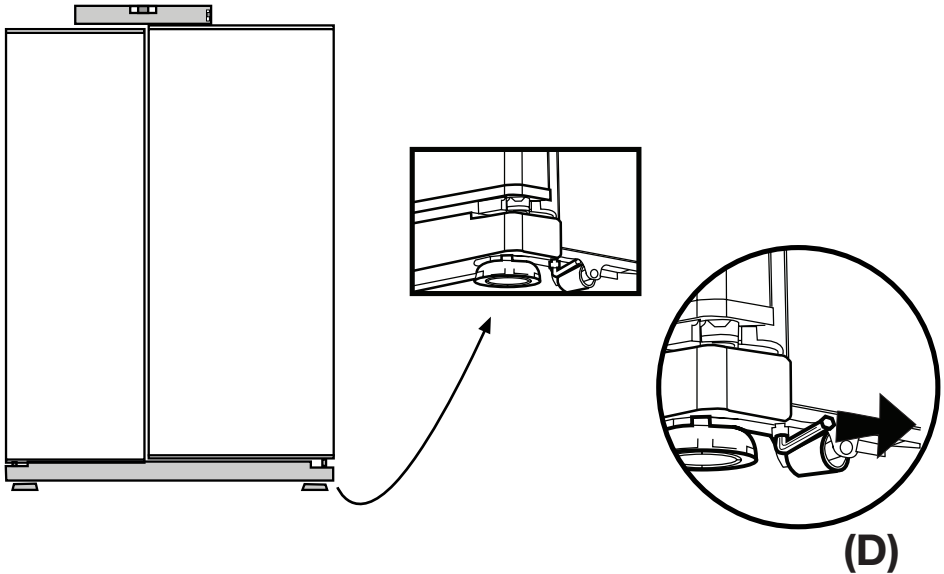


2. С помощью отвертки ослабьте три винта в петлях нижней двери, которую требуется поднять, как показано на рисунке ниже. (Полностью не снимать.) (См. рис. С.)

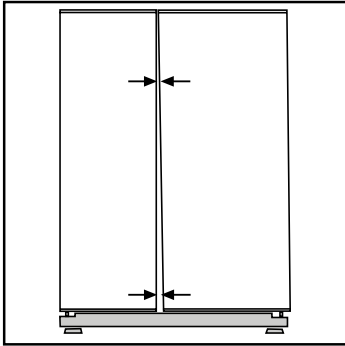
• Если дверь морозильной камеры ниже, чем дверь холодильной, выровнять их можно, регулируя с помощью торцового ключа М6 поворот винта регулировки высоты, который находится со стороны морозильной камеры, как это показано на рис. Г.

• Если дверь морозильной камеры выше, чем дверь холодильной, выровнять их можно, регулируя с помощью торцового ключа М6 поворот винта регулировки высоты, который находится со стороны морозильной камеры, как это показано на рис. Г.

После того, как двери были отрегулированы по высоте с помощью винтов регулировки высоты, они должны

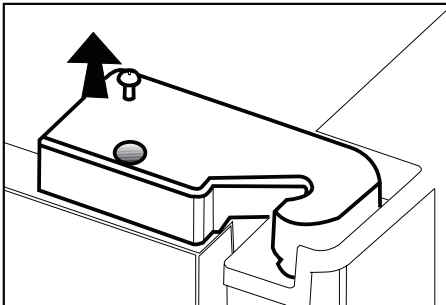


закрываются правильно. Если двери не закрываются должным образом, это может повлиять на эффективность работы холодильника.

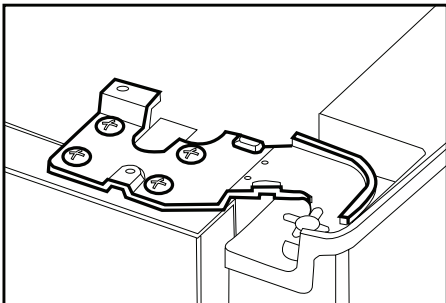


### Регулировка зазора между верхними дверцами

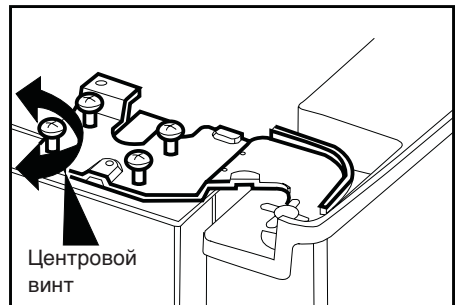
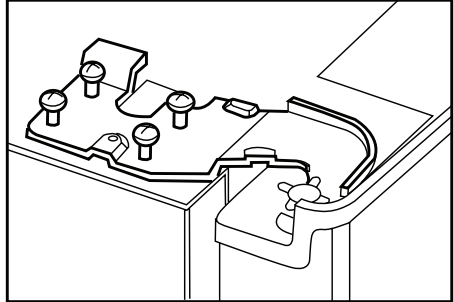
**i** Вы можете отрегулировать зазор между дверцами холодильной камеры, как указано на рисунке.



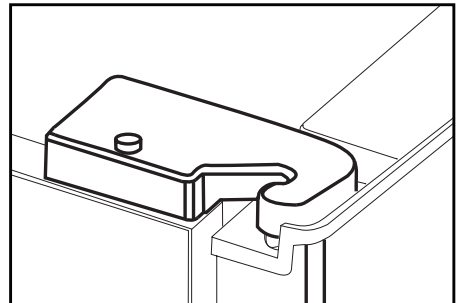
Во время регулировки дверей по высоте двери холодильника должны быть пустыми.



**i** Используя отвертку, выньте винт из крышки верхней петли той двери, которую нужно отрегулировать.



**i** Отрегулируйте дверь по своему усмотрению, немного ослабляя винты.



**i** Зафиксируйте отрегулированную дверь, затянув винты, не изменяя положения двери.

**i** Установите на место крышку петли и зафиксируйте винтом.

## Установка водяного фильтра

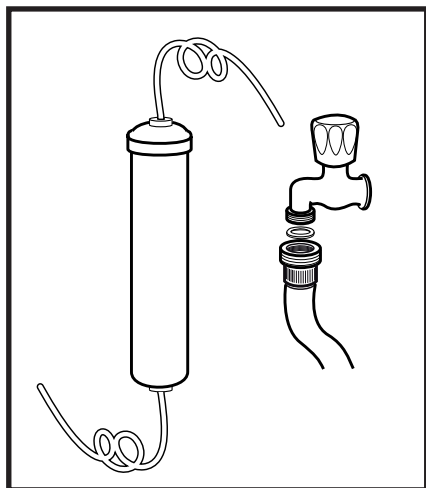
(в некоторых моделях)

### Требования по установке

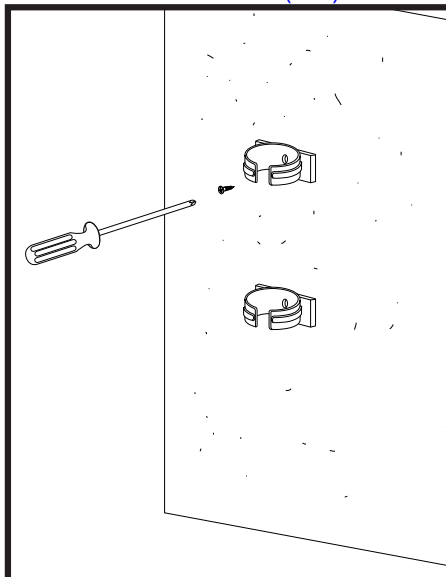
Для подачи воды к холодильнику можно подсоединить два разных источника воды: линию подачи холодной воды и воду из бака.

Во втором случае следует использовать насос.

Проверьте, входят ли указанные ниже запчасти в комплект поставки холодильника.

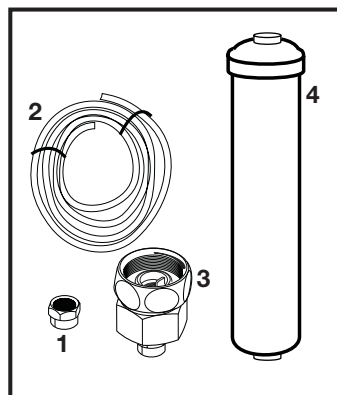


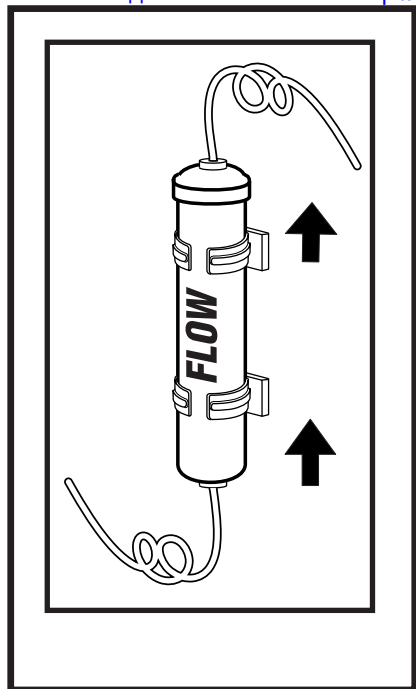
1. Гайка для подключения водопроводной трубы к задней стороне прибора.
2. 3 скобы водосточной трубы (если они требуются для крепления водосточной трубы).



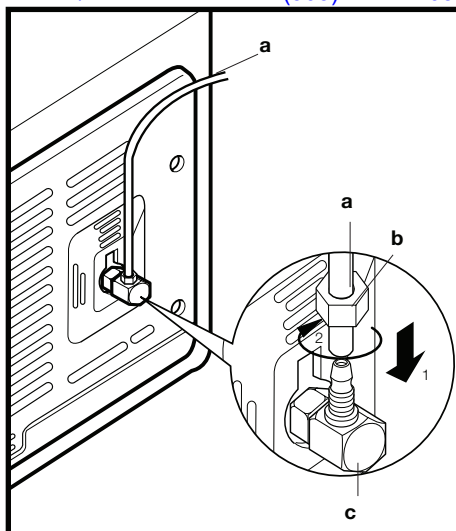
**и** Примечание. В случае использования воды из бака эти запчасти не требуются, поэтому могут не входить в комплект поставки.

3. 5-метровая водопроводная труба (диаметром 1/4 дюйма).
4. Клапан в водопроводной линии с сетчатым фильтром (переходная втулка).
5. Водяной фильтр следует прикрепить к скобе внутри холодильной камеры.





**Подключение воды к холодильнику**  
Пожалуйста, соблюдайте указанные ниже инструкции.



### Подключение водопроводной трубы к холодильнику.

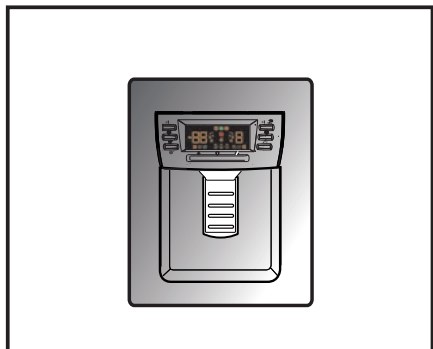
1. После установки гайки на водопроводную трубу вставьте трубу во впускной клапан холодильника, сильно нажав его вниз.
2. Закрепите гайку, как показано на рисунке, надавив рукой на впускной клапан холодильника.

(а – водопроводная труба, б – гайка, с – клапан)

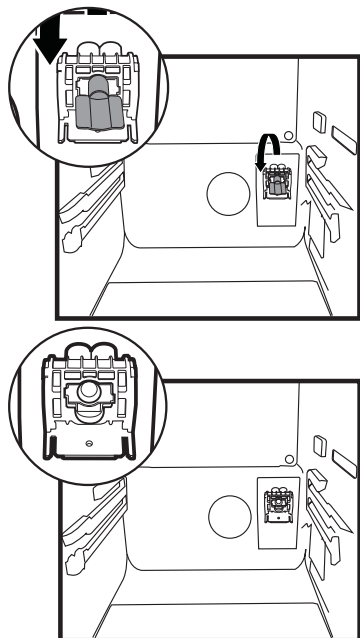
**И** Примечание 1. Чтобы узел был водонепроницаемым, не нужно закручивать гайку каким-либо инструментом. В случае утечки закрутите гайку гаечным ключом или плоскогубцами.

Для установки водяного фильтра соблюдайте приведенные ниже инструкции и следуйте приведенным рисункам.

1. Нажмите кнопку остановки образования льда на дисплее. (Рис. 1)



2. Снимите крышку воздушного фильтра в холодильном отделении, потянув ее на себя. (Рис. 2)



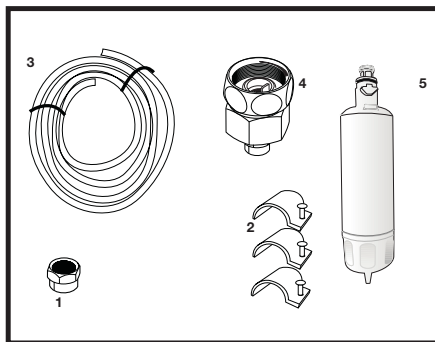
3. Снимите крышку обводной линии водяного фильтра, вращая ее вниз. (Рис. 3-4)

⚠ Внимание! Перед снятием крышки убедитесь в отключении режима образования льда.

Примечание. Падение нескольких капель воды после снятия крышки является нормальным явлением.

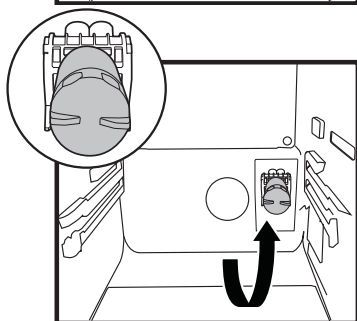
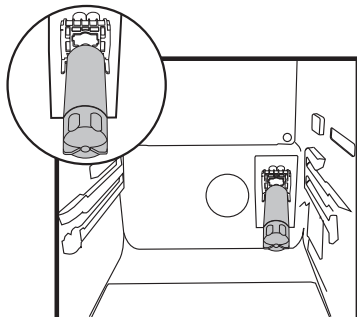
4. Снимите крышку на водяном фильтре, чтобы установить ее, как показано на рисунке, и поверните вверх для фиксации. (Рис. 5)
5. Снова нажмите на кнопку остановки образования льда на дисплее для выхода из данного режима.

Водяной фильтр требуется менять каждые шесть месяцев. Если водяной фильтр подлежит замене или больше не используется, его следует снять, как показано на рисунке, и прикрепить крышку обводной линии. Перед снятием крышки убедитесь в отключении режима образования льда.



⚠ Внимание! Водяной фильтр предназначен для удаления из воды инородных частиц. Он не очищает воду от микроорганизмов.

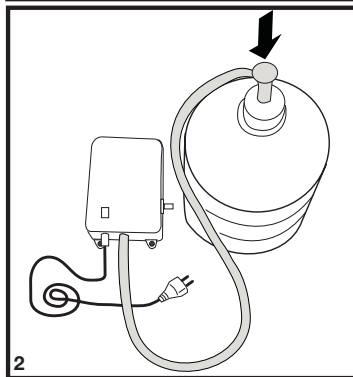
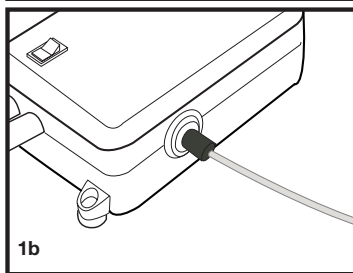
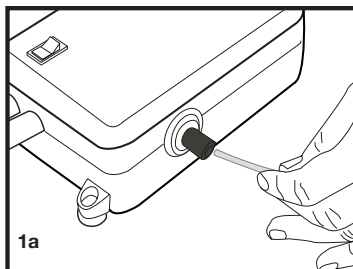
⚠ Внимание! При замене водяного фильтра или установке крышки обводной линии всегда необходимо нажать на кнопку «Ice Off».



2. Вставьте и закрепите шланг насоса в бак, как показано на рисунке.
3. По завершении монтажа подсоедините насос к сети питания и включите его.

Эффективная работа насоса начнется через 2-3 минуты после его включения.

ⓘ Примечание. Выполняя подключение воды, обращайтесь к руководству пользователя насоса.



## Подсоединение шланга подачи воды к баку

(в некоторых моделях)

Для подачи в холодильник воды из бака необходим насос. Выполните изложенные ниже инструкции после подсоединения одного конца водопроводной трубы, выходящей из насоса, к холодильнику, как описано на предыдущей странице.

1. Завершите соединение, вставив другой конец водопроводной трубы в соответствующее входное отверстие насоса, как показано на рисунке.

## Подключение водопроводной трубы к водопроводной линии (в некоторых моделях)

Подсоединение холодильника к линии подачи холодной воды в вашем доме осуществляется через стандартный патрубок с клапаном 1/2". Если такой клапан отсутствует или вы не уверены в своих действиях, обратитесь к квалифицированному водопроводчику.

1. Отсоедините гайку от переходной втулки. (Рис. А)
2. Установите переходную втулку в патрубок с клапаном 1/2", как показано на рисунке. (Рис. В)
3. После надевания гайки на водопроводную трубу установите ее на переходную втулку и вставьте втулку, как показано на рисунке. (Рис. С)
4. Закрутите гайку вручную. В случае утечки закрутите гайку гаечным ключом или плоскогубцами.

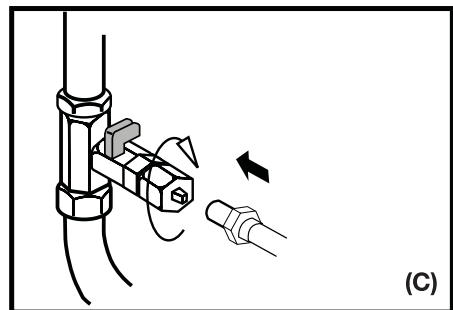
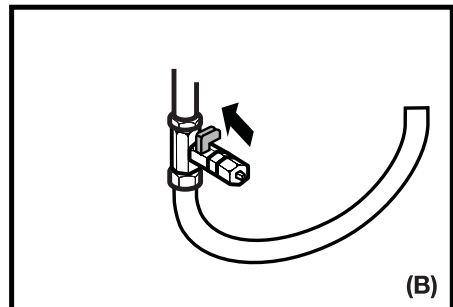
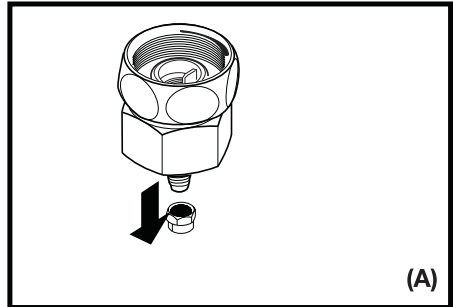
**⚠ Внимание!** С помощью скоб закрепите водопроводную трубу в соответствующих местах для того, чтобы избежать повреждений, смещения или случайного отсоединения.

**⚠ Внимание!** После поворота водяного клапана проверьте, чтобы в обеих точках соединения водяной трубы не было утечки. При наличии утечки немедленно отключите клапан и снова затяните все соединения, воспользовавшись гаечным ключом или плоскогубцами.

**⚠ Внимание!** Убедитесь в наличии стандартного патрубка с клапаном 1/2" в линии подачи холодной воды и в том, что он полностью отключен.

Примечание -1. В случае использования бака нет необходимости в работе водяного фильтра.

Примечание -2. В случае использования бака необходим насос.



## Прежде чем использовать распределитель льда/воды

**i** Давление в водопроводной линии не должно быть ниже 1 бара.

**i** Давление в водопроводной линии не должно быть выше 8 Бар.

**i** Если давление воды в магистральной линии упало ниже 1 бара, и в случае подачи воды из бака необходимо использовать насосы.

**i** Водяная система холодильника должна быть подключена к линии холодной воды. Ее нельзя подключать к линии горячей воды.

**i** При первоначальном включении холодильника воду получить нельзя. Это вызвано наличием воздуха в системе. Для выпуска воздуха из системы нажимайте на защелку распределителя с интервалом 1 минуту до тех пор, пока из него не покажется вода. В начале поток воды может быть неравномерным. Он нормализуется после выпуска воздуха из системы.

**i** При первоначальном включении холодильника до получения холодной воды должно пройти ориентировочно 12 часов.

**i** Для бесперебойной работы распределителя льда/воды давление в водопроводной линии должно быть в пределах 1-8 бар. Для этого проверьте, можно ли наполнить стакан воды (100 куб. см) за 10 секунд.

**i** Первые 10 стаканов воды потреблять нельзя.

**i** Для первого получения льда из распределителя должно пройти ориентировочно 12 часов. Если в распределителе недостаточно льда, его нельзя получить из распределителя.

**i** Около 30 первых кубиков льда, полученных из распределителя, использовать нельзя.

**i** Если бак не используется, применяйте водяной фильтр.

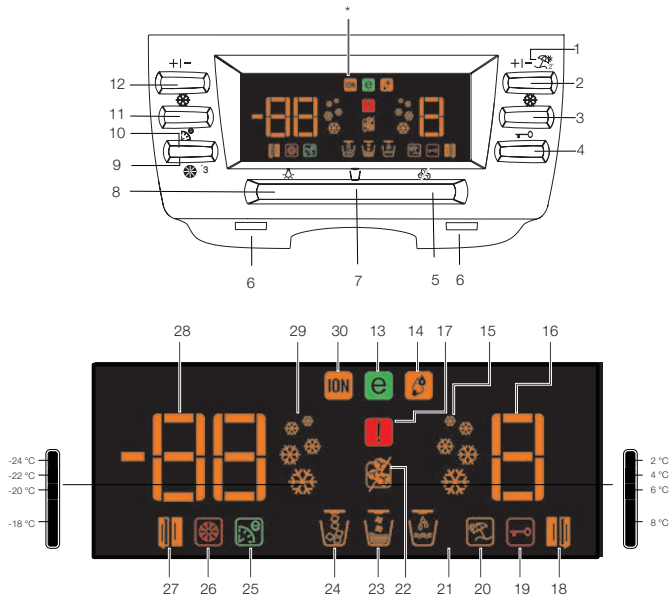


## 4 Подготовка

---

- i** Ваш холодильник следует установить, по крайней мере, в 30 см от источников тепла, таких как газовые конфорки, плиты, батареи центрального отопления и печи, и, по крайней мере, в 5 см от электрических плит, в месте, куда не попадает прямой солнечный свет.
- i** Температура воздуха в помещении, где устанавливается холодильник, должна быть не менее 10°C. Использовать холодильник при более низкой температуре не рекомендуется в связи с его низкой эффективностью в таких условиях.
- i** Содержите внутреннее пространство холодильника в чистоте.
- i** Если два холодильника устанавливаются рядом, то между ними должно быть расстояние не менее 2 см.
- i** При первом включении холодильника просим соблюдать следующие инструкции во время первых шести часов работы.
  - Не открывайте часто дверцу.
  - Холодильник должен быть пустым, без продуктов внутри.
  - Не отключайте холодильник от сети. Если произошло отключение электроэнергии не по вашей вине, см. указания в разделе «Рекомендации по устранению неполадок».
- i** Оригинальную упаковку и пленку следует сохранить для последующей транспортировки или перевозки изделия.

## 5 Эксплуатация холодильника



- 1 Кнопка настройки холодильного отделения
2. Кнопка режима временного отключения
3. Кнопка быстрого охлаждения
4. Кнопка блокировки клавиш
5. Кнопка отключения льда
6. Индикаторы распределителя воды
7. Кнопка выбора льда/воды
8. Кнопка подсветки распределителя воды
9. Кнопка замены фильтра
10. Кнопка «Auto Eco»
11. Кнопка быстрого замораживания
12. Кнопка настройки морозильника
13. Индикатор экономичного режима
14. Индикатор высокой влажности
15. Индикатор быстрого охлаждения
16. Индикатор настройки температуры

- холодильника
17. Индикатор высокой температуры/предупреждения об ошибке
18. Индикатор открытия двери холодильника
19. Индикатор блокировки
20. Индикатор режима временного отключения
21. Индикатор воды
22. Индикатор отсутствия льда
23. Индикатор разрушения льда
24. Индикатор кубиков льда
25. Индикатор «Auto Eco»
26. Индикатор замены фильтра
27. Индикатор открытия двери морозильника
28. Индикатор настройки температуры морозильного отделения
29. Индикатор быстрой заморозки
30. Индикатор ионизатора

### ДОПОЛНИТЕЛЬНО

- i** Иллюстрации в данной инструкции являются схематичными и могут отличаться от вашей модели. Если некоторые компоненты не входят в состав приобретенного вами изделия, они действительны для других моделей.

Регулировка морозильного отделения	Регулировка холодильного отделения	Пояснения
-15°C	4°C	Это рекомендуемые стандартные настройки.
-18, -21 или -24°C	4°C	Рекомендуется использовать при температуре окружающей среды выше 30°C.
Камера для замораживания свежих продуктов	4°C	Используйте эту функцию, когда необходимо быстро заморозить продукты или за короткое время получить лед. По завершении процесса холодильник переключится в предыдущий режим.
-15°C или ниже	2°C	Рекомендуется для ситуаций, когда возможной причиной недостаточно низкой температуры в холодильной камере является жаркая погода или частое открывание двери.
-15°C или ниже	Quick Cool	Рекомендуется использовать в тех случаях, когда холодильная камера перегружена или же нужно быстро охладить продукты.

## Регулировка температуры холодильного отделения

Можно установить одно из следующих значений температуры холодильного отделения:

8, 6, 4 и 2°C

Нажмите на кнопку настройки холодильного отделения для изменения настройки. Температура уменьшится на 2°C. При каждом нажатии кнопки температура будет снижаться, и затем вернется к высшему значению. По достижении нужной температуры отпустите кнопку, и новая настройка температуры будет сохранена.

Если вы считаете, что продукты охладилась сильнее, чем нужно, вы можете отрегулировать температуру в холодильном отделении до значений 6 или 8.

## Регулировка температуры морозильного отделения

Можно установить одно из следующих значений температуры морозильного отделения: -15 / -18 / -21 / -24 и -24°C

Нажмите на кнопку настройки морозильного отделения для изменения настройки. Температура уменьшится на 2°C. При каждом нажатии кнопки температура будет снижаться, и затем вернется к высшему значению. По достижении нужной температуры отпустите кнопку, и новая настройка температуры будет сохранена.

## Функция замораживания свежих продуктов

При нажатии кнопки «Fresh Freeze» компрессор будет работать около 14 часов. Будет гореть индикатор быстрого замораживания. Для отмены данной функции снова нажмите на кнопку «Fresh Freeze». Индикатор быстрого замораживания выключится, а температура вернется к своему нормальному значению. Функция замораживания свежих продуктов отключится автоматически через 12 часов, если вы не отмените ее.

Если вы хотите заморозить большое количество свежих продуктов, нажмите кнопку замораживания свежих

продуктов за 14 часов до того, как поместите продукты в морозильное отделение.

## Функция быстрого охлаждения

При нажатии на кнопку быстрого охлаждения температура в камере станет меньше заданных значений.

Этот режим используется в тех случаях, когда нужно быстро охладить продукты, помещенные в холодильное отделение.

После нажатия на кнопку быстрого охлаждения загорится соответствующий индикатор. Для отмены данной функции снова нажмите на кнопку быстрого охлаждения. Индикатор быстрого охлаждения выключится, а температура вернется к своему нормальному значению. Функция быстрого охлаждения отключится автоматически в случае, если ее не отменить.

## Кнопка режима временного отключения

В случае, если холодильное отделение не будет использоваться в течение длительного времени, его использование можно отменить путем нажатия на кнопку Vacation (временное отключение). При этом холодильник может работать более экономично. Для включения функции нажмите на кнопку «Vacation» и удерживайте ее в течение 3 секунд. При включенном режиме временного отключения дверь холодильного отделения должна оставаться закрытой, и в нем не должно оставаться никаких продуктов.

## Кнопка «Auto Eco» (функция особо экономичного режима)

При нажатии кнопки «Auto Eco» активизируется автоматическая экономичная функция. Если при выборе данной функции не открывать дверцу холодильного отделения в течение длительного времени, то холодильное отделение автоматически переключится на более экономичный режим работы в целях экономии электроэнергии. При

повторном нажатии на кнопку «Auto Eco» функция отключается.

## Ионизатор

Ионизатор помогает очищать воздух в холодильном отделении. Он работает автоматически.

## Кнопка блокировки клавиш

Блокировка активируется при нажатии на эту кнопку в течение 3 секунд.

При этом все кнопки и защелка распределителя работать не будут. Для деактивации блокировки опять нажмите на эту же кнопку в течение 3 секунд.

## Подсветка распределителя воды

При нажатии на кнопку «Light» загорится лампочка распределителя воды, которая погаснет при повторном нажатии кнопки. Кроме того, подсветка включается при нажатии на защелку распределителя воды и гаснет через некоторое время после того, как отпустить защелку.

## Выбор воды/льда

С помощью кнопки «Выбор распределителя» выбирают режим «вода», «кубики льда» или «колотый лед».

## Распределитель льда/воды

Благодаря трем режимам работы распределитель эффективно удовлетворит ваши потребности в воде, кубиках льда и колотом льде без открытия дверей холодильника. Он является непрерывным источником холодной воды и льда без добавления воды. Понятная для пользователя панель позволяет выбирать следующие функции распределения.

Примечание.

- Воду или лед можно распределять максимум 90 секунд при каждом использовании.
- При открытой двери морозильного отделения распределитель не работает.



## Использование распределителя льда

**И**мейте в виду, что первые кубики льда будут готовы только через 12 часов после включения прибора.

Если вам не нужен лед, например, зимой или во время отпуска, выключите функцию генерирования льда.

**И** устройство для образования льда производит приблизительно 110 кубиков за 24 часа; это количество может меняться в зависимости от частоты открытия дверей, настроек холодильника и нарушения энергоснабжения. Образовавшийся лед можно получать из распределителя в виде кубиков или в виде колотого льда. Получение колотого льда занимает больше времени, чем получение кубиков; нормальным также считается выпадение некоторого количества колотого льда перед кубиками в случае выбора опции колотого льда до выбора функции кубиков льда.

**И** если распределитель льда не использовался продолжительное время либо после перебоя в электропитании, и лед сбился в комки или же изменился вкус и запах льда, то лед необходимо выбросить, а контейнер для льда тщательно вымыть.

### Предостережения

**И** в отсек распределителя льда нельзя добавлять лед. Это может отрицательно повлиять на подачу льда или его дробление.

- ⚠** Нормальным явлением является слипание нескольких кубиков льда в накопителе.
- ⚠** Во избежание травм не дотрагивайтесь до движущихся частей, таких как лезвия в корпусе на выпуске льда из распределителя.
- ⚠** Никогда не пользуйтесь острыми предметами для разрезания льда в контейнере. Это может привести к повреждению контейнера.

**⚠** Никогда не следует помещать продукты в накопитель для льда с целью их быстрого охлаждения.

**⚠** Если по какой-то причине контейнер для льда следует извлечь, то перед этим необходимо нажать на кнопку активизации функции отключения льда.

## Функция отключения льда

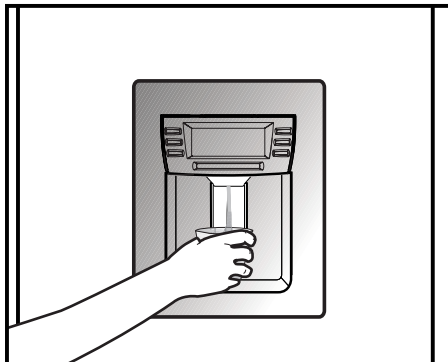
**И** чтобы остановить образование льда, нажмите на кнопку «Ice Off». При выборе функции отключения льда вода не будет попадать в ледогенератор. Однако уже образовавшийся лед можно получить из распределителя. Чтобы снова начать образование льда, необходимо снова нажать на кнопку «Ice Off».

**Предупреждение.** Если вы не пользуетесь распределителем льда, не забудьте установить крышку на канал подачи льда в кольце внутри двери морозильника. **(См. раздел «Холодильник».)**

## Кнопка замены фильтра

Водяной фильтр требуется менять каждые шесть месяцев. Индикатор замены фильтра загорается, если необходимо заменить водяной фильтр. Чтобы снять предупреждение о необходимости замены фильтра, нажмите кнопку замены фильтра и удерживайте ее 3 секунды.

## Пользование краном подачи воды



### Предостережения

Первые несколько стаканов воды, вышедшей из распределителя, могут быть теплыми. Это вполне нормально.

Если распределитель воды используется нечасто, то для получения свежей воды необходимо слить некоторое количество воды из распределителя.

### Лоток для разлитых продуктов

Капли воды, падающие во время работы, накапливаются в лотке для разлитых продуктов. Вы можете достать лоток, потянув его на себя или нажав на край (в зависимости от модели). Воду можно удалить с помощью губки или мягкой ткани.

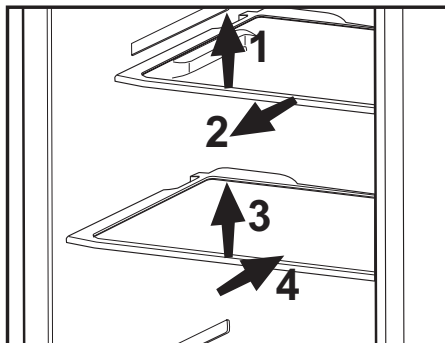


## Выдвижные полки

Чтобы выдвинуть выдвижную полку, слегка приподнимите ее спереди, после чего ее можно сдвинуть назад и вперед. Полку можно выдвинуть вперед до упора, чтобы достать продукты в конце полки. Чтобы вынуть полку, сдвиньте ее до второго упора, слегка приподнимите и потяните на себя.

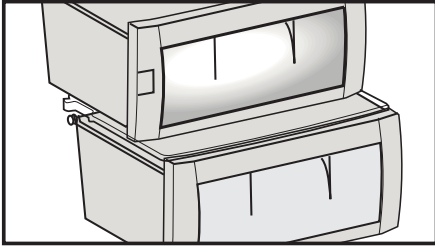
Крепко придерживайте полку снизу, чтобы она не перевернулась. Полки холодильного отделения устанавливаются на направляющие, расположенные на боковых стенках, и их можно переставлять выше или ниже.

Чтобы установить полку на место, сдвиньте ее назад до конца.



## Синий свет

В продуктах, хранящихся в контейнерах для фруктов и овощей с синей подсветкой, продолжается процесс фотосинтеза, благодаря длине волн синего света и, таким образом, они сохраняют свою свежесть, а содержание витаминов в них увеличивается.



## Ионизация:

Воздух ионизируется с помощью системы ионизации в воздухопроводе холодильного отделения. Благодаря этой системе переносимые по воздуху бактерии и частицы, образующие запахи, удаляются.

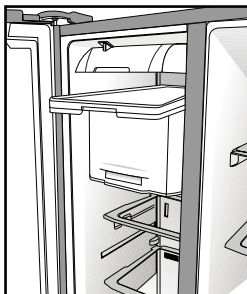
## Лоток для яиц

Вы можете установить держатель для яиц на полочку двери или обычную полку, как вам удобнее.

Никогда не помещайте держатель для яиц в камеру морозильника.

## Отделение замораживания свежих продуктов

В этом отделении продукты быстро замораживаются и сохраняют свой вкус и питательную ценность.

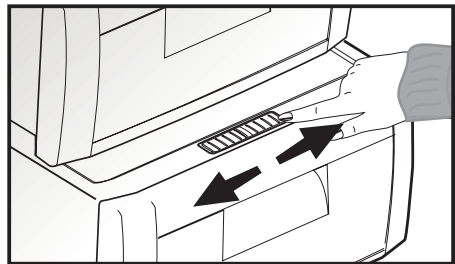


## Регуляторы влажности в контейнерах для фруктов и овощей


Контейнер для фруктов и овощей предназначен специально для их сохранения в свежем виде, чтобы они не теряли влагу. Холодный воздух циркулирует, в основном, вокруг контейнера для фруктов и овощей, а количество холодного воздуха, поступающего в контейнер, регулируется ползунковыми регуляторами на передней панели крышки контейнера.

Вы можете регулировать положение ползунковых регуляторов влажности в зависимости от условий влажности и степени охлаждения продуктов в отделении для фруктов и овощей.

Если вы хотите, чтобы продукты в контейнере для фруктов и овощей охлаждались сильнее, откройте отверстия ползунковых регуляторов, а если хотите, чтобы они охлаждались меньше и дольше сохраняли свою влажность, закройте отверстия.



## Рекомендации по хранению замороженных продуктов

- Упакованные продукты, предварительно замороженные в промышленных условиях, следует хранить в соответствии с инструкциями их производителей для  (4-звездочного) отделения хранения замороженных продуктов.

- Чтобы обеспечить сохранение наилучшего качества замороженных производителем и продавцом продуктов, следует помнить следующее:

1. Поместите пакеты в морозильник как можно быстрее после их приобретения.

2. Проверьте, чтобы содержимое было маркировано и датировано.

3. Не используйте продукты после завершения срока их реализации.

В случае прекращения подачи электроэнергии не открывайте дверцу морозильного отделения. Даже если отсутствие электроэнергии превышает время, указанное в табличке с описанием технических характеристик изделия слева на внутренней стенке холодильника, это не повлияет на замороженные продукты. Если оно длится дольше, то продукты необходимо проверить и, при необходимости, немедленно употребить в пищу или заморозить после приготовления.

## Размораживание

Холодильная и морозильная камера размораживаются автоматически.

## Замена лампочки внутреннего освещения

Если лампочка вышла из строя, следуйте приведенным ниже инструкциям.

1. Выключите выключатель на розетке и выньте из розетки шнур питания.

Для облегчения доступа вытащите все полки и ящики.

2. Крышки лампочек подсветки в морозильном и холодильном отделениях можно открыть, нажав на них вручную; освободите сначала одну сторону, потом вторую, как показано на рисунках.

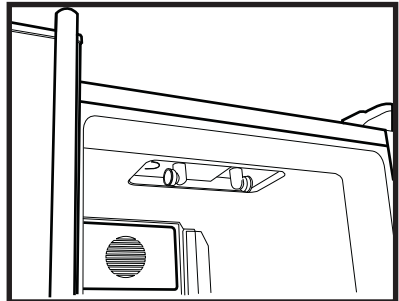
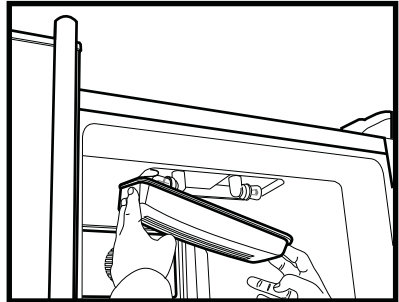
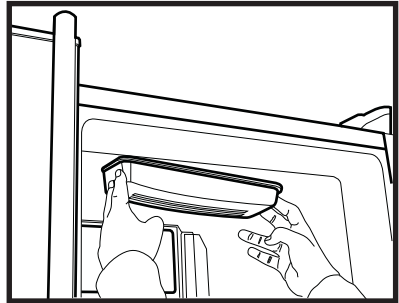
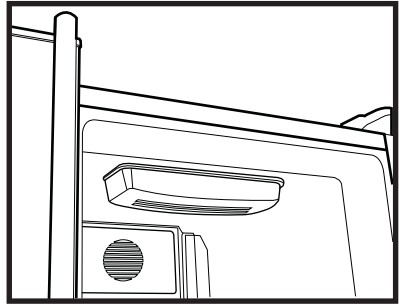
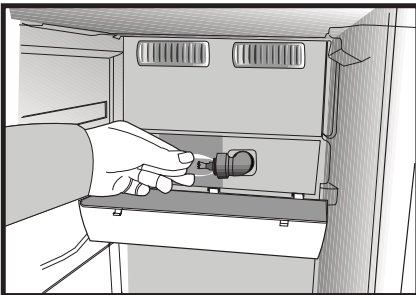
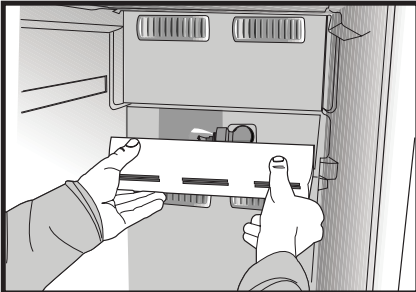
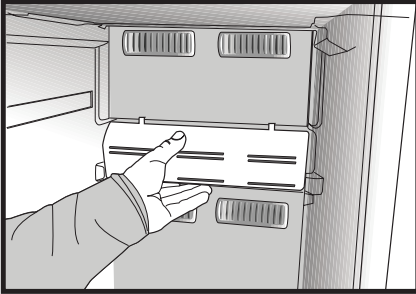
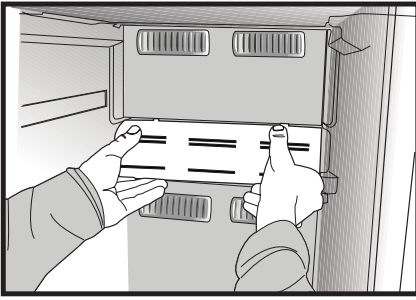
3. Сначала убедитесь, что неработающая лампа плотно закручена. Вставьте вилку в розетку и включите прибор. Если лампа заработала, установите на место крышку рассеивателя, вставив сначала задний выступ, а затем нажмите ее вверх, чтобы установить на место два передних выступа.

4. Если лампа все же не работает, выключите прибор, вытянув вилку электропитания из настенной розетки. Замените лампу новой (с максимальной мощностью 15Вт), с соответствующим цоколем E14 (SES).

5. Сразу же осторожно утилизируйте перегоревшую лампочку.

Запасную электролампу можно свободно приобрести в магазине электротоваров или хозтоваров.





## 6 Обслуживание и чистка

- ⚠ Ни в коем случае не используйте бензин, бензол или подобные вещества для чистки.
- ⚠ Перед чисткой рекомендуем отсоединить изделие от электросети.
- ℹ Не используйте для чистки острые абразивные инструменты, мыло, бытовые чистящие средства, моющие средства и восковую политуру.
- ℹ Корпус изделия промойте теплой водой и затем вытрите насухо.
- ℹ Протрите внутреннюю поверхность изделия хорошо отжатой тканью, смоченной в растворе питьевой соды (1 чайная ложка на пол-литра воды), и вытрите насухо.
- ⚠ Не допускайте попадания воды в корпус лампочки и в другие электрические компоненты.
- ⚠ Если холодильник не будет использоваться в течение длительного времени, отключите сетевой шнур, извлеките все продукты, выполните чистку и оставьте дверцу приоткрытой.
- ℹ Регулярно проверяйте, не испачкан ли уплотнитель дверцы частицами пищи.
- ℹ Для снятия полок в дверце полностью разгрузите их, а затем просто приподнимите вверх.

### Защита пластмассовых поверхностей

- Не храните жидкое масло или продукты, приготовленные с добавлением масла, в морозильной камере в открытых контейнерах, так как они могут повредить пластмассовые поверхности. Если же масло протекло или попало на пластмассовую поверхность, сразу же очистите и промойте это место теплой водой.

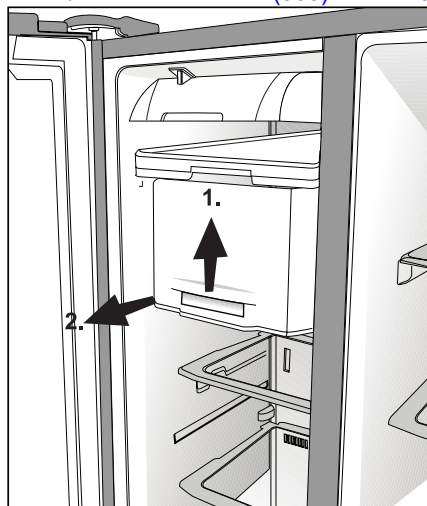
## Контейнер для льда и распределитель воды

**И** Перед очисткой контейнера для льда следуйте приведенным ниже инструкциям:

- ⚠** Вытащите контейнер для льда, приподняв его и потянув на себя, как показано на схеме.
- ⚠** Удалите лед из контейнера, если он имеется. Чтобы извлечь прилипший лед, пользуйтесь неострыми предметами, чтобы не повредить контейнер.
- ⚠** Прежде, чем устанавливать контейнер обратно в корпус, проследите, чтобы внутри он не был мокрым/влажным.
- ⚠** Если вы хотите извлечь лед из распределителя после установки контейнера обратно в корпусе и закрытия двери морозильника, выйдите из режима отключения льда, снова нажав на кнопку «Ice Off».

**⚠** Не дотрагивайтесь до движущихся частей, таких как ножи в контейнере для льда.

**И** Водяной бак должен быть пустым в случае его неиспользования в течение длительного времени.

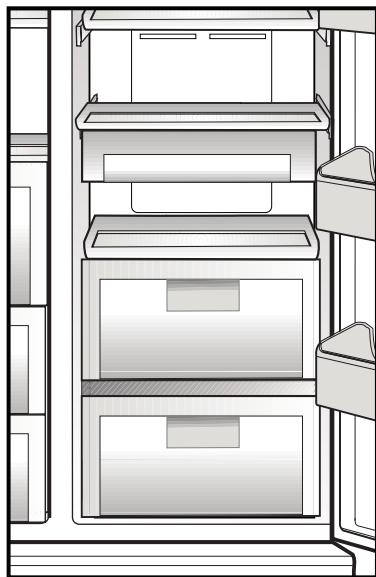


## Отделение охладителя

Если вы собираетесь использовать контейнер для хранения под полкой в качестве отделения охладителя, то контейнер для хранения под полкой следует разместить так, как показано на рисунке.

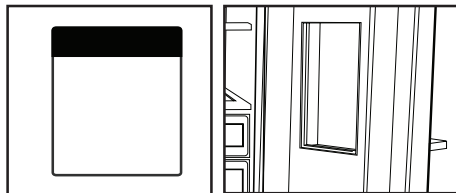
Отделение охладителя подготавливает продукты к заморозке. Кроме того, эти отделения можно использовать для хранения продуктов при температуре, на несколько градусов ниже температуры холодильной камеры.

Вы можете освободить место внутри холодильника, вынув любой из охладителей. Для этого потяните лоток на себя, пока он не упрется в ограничитель. Затем приподнимите лоток приблизительно на 1 см и снова потяните на себя.

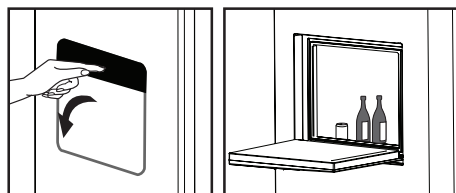


## Мини-бар

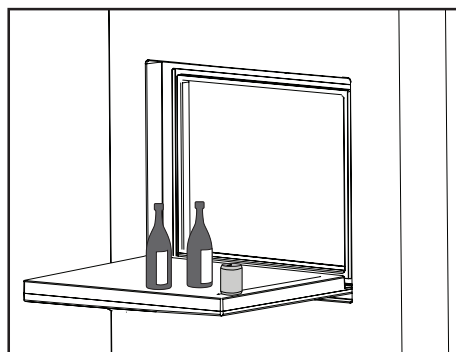
Функция «Мини-бар» обеспечивает дополнительное удобство использования холодильника. Чтобы получить доступ к дверной полке, нет необходимости открывать дверцу холодильника; благодаря этой функции вы можете доставать из холодильника еду и напитки частого употребления. Таким образом вы будете реже открывать дверцу холодильника и снизите его энергопотребление.



Чтобы открыть дверцу мини-бара, надавите на нее рукой и потяните на себя.

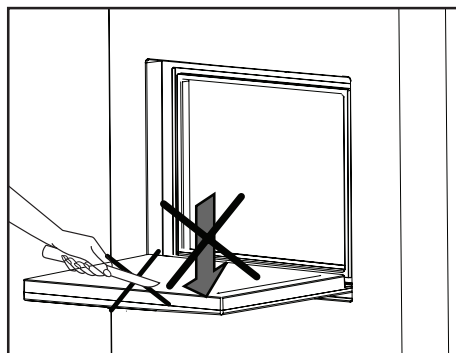


Если дверца мини-бара открыта, используйте ее внутреннюю поверхность в качестве столика, на который можно ненадолго ставить бутылки и стаканы, как показано на рисунке.



**⚠** Внимание! Запрещено оказывать на столик мини-бара давление (сидеть, висеть или использовать в качестве ступени) и ставить на него тяжелые предметы. Это может привести к повреждению холодильника или травмам.

**⚠** Внимание! На дверце мини-бара запрещено резать продукты; избегайте повреждения дверцы острыми предметами.



## 7 Рекомендации по устранению неисправностей

Прежде чем обращаться в сервисный центр, просмотрите этот перечень. Это может помочь вам сэкономить время и деньги. Ниже перечислены часто возникающие проблемы, причиной которых не являются дефекты производства или материалов. Некоторые из функций, описанных здесь, могут отсутствовать в вашем изделии.

<b>Холодильник не работает.</b>
<ul style="list-style-type: none"><li>• Правильно ли включен холодильник в сеть? Вставьте вилку в розетку электросети.</li><li>• Не перегорел ли предохранитель розетки, в которую включена морозильная камера, и главный предохранитель? Проверьте предохранитель.</li></ul>
<b>Конденсация на боковой стенке холодильного отделения (MULTI ZONE, COOL CONTROL и FLEXI ZONE).</b>
<ul style="list-style-type: none"><li>• Очень низкая температура окружающей среды. Частое открывание и закрывание дверцы. Изделие работает в условиях повышенной влажности. Хранение продуктов, содержащих жидкость, в открытых контейнерах. Неплотно закрыта дверца. Переключите термостат на более низкую температуру.</li><li>• Уменьшите время открывания дверцы или открывайте ее реже.</li><li>• Накройте продукты, хранящиеся в открытых контейнерах, соответствующим материалом.</li><li>• Вытрите конденсат сухой тканью и проверьте, не образуется ли он снова.</li></ul>
<b>Не работает компрессор</b>
<ul style="list-style-type: none"><li>• Термозащита компрессора может сработать при неожиданных отключениях энергоснабжения либо при выключениях-включениях прибора, поскольку давление хладагента в системе охлаждения не успевает стабилизироваться. Холодильник начнет работать ориентировочно через 6 минут. Если по истечении этого времени холодильник не заработал, обратитесь в сервисный центр.</li><li>• Холодильник находится в режиме размораживания. Это нормально для полностью автоматически размораживающегося холодильника. Цикл размораживания выполняется периодически.</li><li>• Холодильник не включен в розетку электросети. Убедитесь, что вилка должным образом включается в розетку.</li><li>• Правильно ли отрегулирована температура?</li><li>• Возможно, отключена подача электроэнергии.</li></ul>
<b>Холодильник включается слишком часто или работает слишком долго.</b>

- Ваш новый холодильник может быть больше, чем предыдущий. Это вполне нормально. Большие холодильники работают в течение более длительного времени.
- Возможно, температура в помещении повышена. Это вполне нормально.
- Возможно, холодильник был недавно включен или загружен продуктами. Полное охлаждение холодильника может продолжаться на пару часов дольше.
- Возможно, в холодильник недавно поместили большое количество горячих продуктов. Горячие продукты в холодильнике заставляют его работать дольше, пока не будет достигнута нужная температура хранения.
- Возможно, дверцы часто открываются либо были приоткрыты в течение длительного времени. Теплый воздух, попадающий в холодильник, заставляет его работать дольше. Открывайте дверцы реже.
- Неплотно закрыта дверца морозильного или холодильного отделения. Проверьте, плотно ли закрыты дверцы.
- Холодильник отрегулирован на очень низкую температуру. Отрегулируйте температуру холодильника до более высокого значения и подождите, пока установленная температура не будет достигнута.
- Уплотнитель двери холодильного или морозильного отделения, возможно, загрязнен, изношен, разорван или неправильно установлен. Почистите или замените уплотнитель. Поврежденный/разорванный уплотнитель заставляет холодильник работать дольше для того, чтобы поддерживать текущую температуру.

Температура в морозильном отделении слишком низкая, в то время как температура в холодильном отделении достаточная.

- Температура морозильного отделения установлена на очень низкое значение. Отрегулируйте температуру морозильного отделения на более высокое значение и проверьте работу.

Температура холодильного отделения очень низкая, в то время как температура в морозильном отделении достаточная.

- Возможно, температура холодильного отделения отрегулирована на очень низкое значение. Отрегулируйте температуру холодильного отделения до более высокого значения и проверьте работу.

Замерзают продукты в выдвижных контейнерах холодильного отделения.

- Возможно, температура холодильного отделения отрегулирована на очень низкое значение. Отрегулируйте температуру холодильного отделения до более высокого значения и проверьте работу.

Температура в холодильном и морозильном отделениях слишком высокая.

- Возможно, температура холодильного отделения отрегулирована на очень высокое значение. Настройка холодильного отделения влияет на температуру морозильного отделения. Измените температуру холодильного или морозильного отделения, пока не будет достигнут нужный уровень температуры.
- Возможно, дверцы часто открываются либо были приоткрыты в течение длительного времени; открывайте их реже.
- Возможно, дверца холодильника приоткрыта; закройте ее полностью.
- Возможно, в холодильник недавно поместили большое количество горячих продуктов. Подождите, пока холодильное или морозильное отделение достигнет нужной температуры.
- Возможно, морозильник был недавно включен в сеть. На полное охлаждение холодильника потребуется время.

<b>Уровень рабочего шума повышается во время работы холодильника.</b>
<ul style="list-style-type: none"> <li>Рабочие характеристики изделия могут изменяться в зависимости от изменений температуры окружающей среды. Это нормально и не является неисправностью.</li> </ul>
<b>Вибрация или шум.</b>
<ul style="list-style-type: none"> <li>Пол неровный или нетвердый. При медленном перемещении морозильник дрожит. Убедитесь в том, что пол ровный и достаточно прочный, чтобы выдержать вес холодильника.</li> <li>Шум могут вызывать предметы, поставленные на холодильник. Посторонние предметы следует убрать с холодильника.</li> </ul>
<b>Из холодильника доносится шум льющейся или распыляющейся жидкости.</b>
<ul style="list-style-type: none"> <li>Расход жидкости и газа изменяется в соответствии с принципами работы изделия. Это нормально и не является неисправностью.</li> </ul>
<b>Слышен шум, похожий на шум ветра.</b>
<ul style="list-style-type: none"> <li>Для охлаждения холодильника используются вентиляторы. Это нормально и не является неисправностью.</li> </ul>
<b>Конденсация влаги на внутренних стенках холодильника.</b>
<ul style="list-style-type: none"> <li>Жаркая и влажная погода способствует образованию льда и конденсации влаги. Это нормально и не является неисправностью.</li> <li>Возможно, дверцы холодильника приоткрыты; убедитесь, что они полностью закрыты.</li> <li>Возможно, дверцы часто открываются либо были приоткрыты в течение длительного времени; открывайте их реже.</li> </ul>
<b>Появление влаги снаружи холодильника или между дверцами.</b>
<ul style="list-style-type: none"> <li>Воздух может быть влажным; это вполне нормально при влажной погоде. Когда влажность уменьшится, конденсация исчезнет.</li> </ul>
<b>Неприятный запах внутри холодильника.</b>
<ul style="list-style-type: none"> <li>Следует выполнить чистку внутри холодильника. Протрите внутреннюю часть с помощью губки, теплой или газированной воды.</li> <li>Некоторые контейнеры или упаковочные материалы также могут быть источником запаха. Используйте другой контейнер или упаковочный материал другой марки.</li> </ul>
<b>Дверца не закрыта, как следует.</b>
<ul style="list-style-type: none"> <li>Упаковки продуктов могут препятствовать закрыванию дверцы. Переместите упакованные продукты, препятствующие закрытию дверцы.</li> <li>Холодильник стоит не совсем вертикально, это может вызвать дрожание даже при незначительном перемещении. Отрегулируйте регулировочные винты.</li> <li>Пол неровный или нетвердый. Убедитесь в том, что пол ровный и может выдержать вес холодильника.</li> </ul>
<b>Контейнеры для фруктов и овощей прилипли.</b>
<ul style="list-style-type: none"> <li>Возможно, продукты касаются верхней части контейнера. Переместите продукты в контейнере.</li> </ul>



Изготовитель: «Arcelik A.S.» Юридический адрес: Караач Джаддеси № 2-6 34445  
Сютлюдже Стамбул, Турция (Karaağaç Caddesi No:2-6 Sütlüce, 34445, Turkey)

Произведено в Турции

Импортер на территории РФ: ООО «БЕКО» Юридический адрес: 601010,  
Владимирская область, Киржачский район, завод «БЕКО»

Информацию о сертификации продукта Вы можете уточнить, позвонив на горячую  
линию 8-800-200-23-56.

Дата производства включена в серийный номер продукта, указанный на этикетке,  
расположенной на продукте, а именно: первые две цифры серийного номера  
обозначают год производства, а последние две – месяц. Например, "10-100001-  
05» обозначает, что продукт произведен в мае 2010 года.

